

Jinbo Marine

Marine & Offshore Equipment Datasheet

PRODUCT DATASHEET

STERN TUBE BEARING

CB*769-86 marine integral type rubber bearing

ISO9001 Supplier

Class Certificate

Export Supply

The rubber bearing is suggested to be used when the lubricating medium of stern tube is water (the lubrication water temperature is not over 55 degree centigrade.) One side or two sides can be flange as per the cu...



Key Highlights

Category	Stern Tube Bearing
Standard	CB
Material	Copper & Rubber
Weight / Size	Rubber Bush--NBR Main Size:
Certificate	CCS, BV, ABS, GL, LR, DNV, NK,RINA, KR,IRS

We can supply according to your requirement, drawings, class certificate needs, and delivery schedule.

Technical Specifications

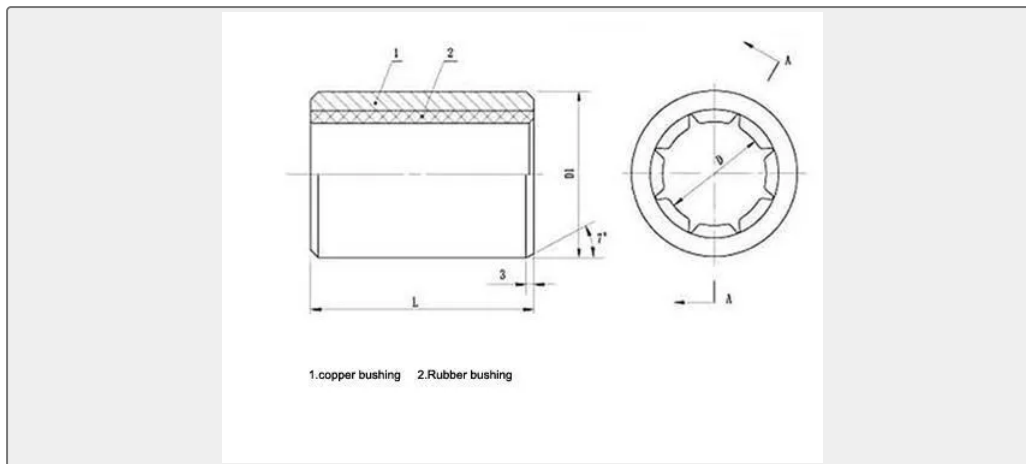
Category	Stern Tube Bearing	Model / SKU	CB-769-86-marine-integral-type-rubber-bearing
Standard	CB	Material	Copper & Rubber
Weight / Size	Rubber Bush--NBR Main Size:	Certificate	CCS, BV, ABS, GL, LR, DNV, NK,RINA, KR,IRS
Warranty	12 Months unless specified otherwise	Origin	China

CONTENTS

- China CB*769-86 marine integral type rubber bearing:
- Material:
- Main Size:



China CB*769-86 marine integral type rubber bearing:



The rubber bearing is suggested to be used when the lubricating medium of stern tube is water (the lubrication water temperature is not over 55 degree centigrade.)

One side or two sides can be flange as per the customer's requirement.

Material:

Copper Bush--H68, H62 or other copper material agreed by the customer.

Rubber Bush--NBR

Main Size:

Bearing diameter(D)	Outer diameter of copper bush(D1)	Length(L)	
		Normal type	Extended type
Nominal sizes	Nominal sizes		
40	64	120	140
45	68	135	155
50	74	150	170
55	78	150	170
60	84	165	210
65	88	180	230
70	96	190	250
75	102	210	270
80	108	220	290
85	114	240	300
90	120	250	320
95	125	260	340
100	130	280	350
105	137	290	370

110	144	300	385
120	156	330	420
125	163	340	440
130	170	360	450
140	182	380	480
150	194	410	520
160	205	440	550
170	218	460	580
180	228	500	620
190	238	520	650
200	250	550	680

