

Jinbo Marine

Marine & Offshore Equipment Datasheet

PRODUCT DATASHEET

MARINE MOORING EQUIPMENT

CB290-95 Chain Wheel For Hawse Pipe

It also named as hawse pipe chain wheel, chain wheel hawse pipe, roller fairlead for chain cable or chain cable fairlead. 1. Material: Cast Steel, Cast Iron. 2. Finish: Epoxy Coating. 3. BV, GL, CCS Cert. ...

ISO9001 Supplier

Class Certificate

Export Supply



Key Highlights

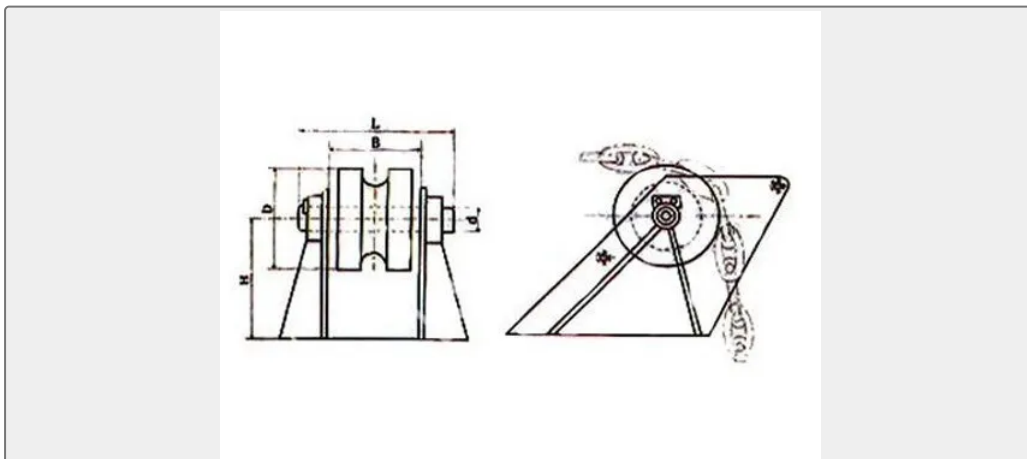
Category	Marine Mooring Equipment
Standard	JIS
Material	Cast Steel, Cast Iron
Weight / Size	Diameter of D d L B H K Weight Cable(mm) (mm) (mm) (mm) (mm) (mm) (KG) C...
Certificate	ABS , BV, DNV , LR , GL , CCS, RINA , mill certificate etc.

We can supply according to your requirement, drawings, class certificate needs, and delivery schedule.



Technical Specifications			
Category	Marine Mooring Equipment	Model / SKU	CB290-95-Chain-Wheel-For-Hawse-Pipe
Standard	JIS	Material	Cast Steel, Cast Iron
Weight / Size	Diameter of D d L B H K Weight Cable(mm) (mm) (mm) (mm) (mm) (mm) (mm) (KG) CW9-001 12.5-14 154 26 164 94 150 4 12.7 CW9-002 16-17.5 192 32 186 108 170 5 21 CW9-003 19-20.5 226 38 208 122 210 32.6 CW9-004 22-24 264 42 236 142 240 6 50 CW9-005 26-28 308 48 262 160 280 74 CW9-006 30-32 352 54 292 178 310 7 104 CW9-007 34-36 396 58 319 201 360 144.4 CW9-008 38-40 440 64 349 219 390 8 189.8 CW9-009 42- 44 484 70 377 239 430 239.9 CW9-010 46-48 528 74 405 259 470 9 305.5 CW9-011 50-52 572 78 430 280 510 370.3 CW9-012 54-56 616 82 466 302 540 10 453.6 CW9-013 58-60 660 88 492 320 580 11 572.3 CW9-014 62-64 704 94 526 342 620 12 687.5 CW9-015 66-68 748 98 552 360 660 13 832.3	Surface	Epoxy Coating
Certificate	ABS , BV, DNV , LR , GL , CCS, RINA , mill certificate etc.	Warranty	12 Months unless specified otherwise
Origin	China		

China CB290-95 Chain Wheel For Hawse Pipe:



It also named as hawse pipe chain wheel, chain wheel hawse pipe, roller fairlead for chain cable or chain  0.034471s

- 1.Material: Cast Steel, Cast Iron.
- 2.Finish: Epoxy Coating.
- 3.BV, GL, CCS Cert.

We supply various type of warping roller: JIS warping roller,VIS38 warping roller,DIN81906 warping roller, warping roller type EU, warping roller type G,NS2585 warping roller ,double warping roller with plate, three warping roller with plate and more.

CB290-95 Chain Wheel for Hawse Pipe								
Product No.	Diameter of	D	d	L	B	H	K	Weight
	Cable(mm)	(mm)	(mm)	(mm)	(mm)	(mm)		(KG)
CW9-001	12.5-14	154	26	164	94	150	4	12.7
CW9-002	16-17.5	192	32	186	108	170	5	21
CW9-003	19-20.5	226	38	208	122	210		32.6
CW9-004	22-24	264	42	236	142	240	6	50
CW9-005	26-28	308	48	262	160	280		74
CW9-006	30-32	352	54	292	178	310	7	104
CW9-007	34-36	396	58	319	201	360		144.4
CW9-008	38-40	440	64	349	219	390	8	189.8
CW9-009	42-44	484	70	377	239	430		239.9
CW9-010	46-48	528	74	405	259	470	9	305.5
CW9-011	50-52	572	78	430	280	510		370.3
CW9-012	54-56	616	82	466	302	540	10	453.6
CW9-013	58-60	660	88	492	320	580	11	572.3
CW9-014	62-64	704	94	526	342	620	12	687.5
CW9-015	66-68	748	98	552	360	660	13	832.3