

# Jinbo Marine

Marine &amp; Offshore Equipment Datasheet

PRODUCT DATASHEET

## MARINE CHOCK

## CB34-76 C Type Mooring Chock

Feature: 1.Strict quality control. 2.Can issue BV,CCS,DNV,LR,KR,ABS,RINA certificate  
3.Good after-sale service 4. CB34-76 Type A,Type B,Type C and Type D available. 5.surface  
in contact with the ...

ISO9001 Supplier

Class Certificate

Export Supply



### Key Highlights

Category	Marine Chock
Standard	CB
Material	cast steel
Weight / Size	We designs and manufactures panama chocks in a wide variety of sizes and...
Certificate	CCS,BV,ABS,mill certificate

We can supply according to your requirement, drawings, class certificate needs, and delivery schedule.

### Technical Specifications

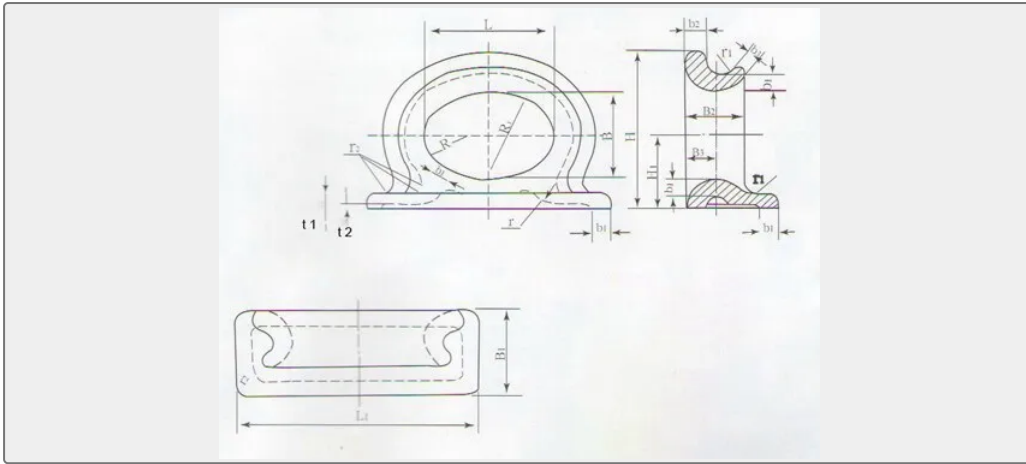
Category	Marine Chock	Model / SKU	CB34-76-C-Type-Mooring-Chock
Standard	CB	Material	cast steel
Weight / Size	We designs and manufactures panama chocks in a wide variety of sizes and styles.	Surface	5.surface in contact with the rope in use been finished smoothly.
Certificate	CCS,BV,ABS,mill certificate	Warranty	12 Months unless specified otherwise
Origin	China		

## CONTENTS

- Feature:

- Size chart:





**Feature:**

1. Strict quality control.
2. Can issue BV, CCS, DNV, LR, KR, ABS, RINA certificate
3. Good after-sale service
4. CB34-76 Type A, Type B, Type C and Type D available.
5. surface in contact with the rope in use been finished smoothly.

We designs and manufactures panama chocks in a wide variety of sizes and styles.

Our panama chocks and other deck fittings are used by military and industrial ships.

**Size chart:**

CB34-76 C type Mooring chock													
Steel rope diameter	Hemp rope perimeter	Nylon rope diameter	L	L1	B	B1	B2	B3	H	H1	R	R1	Weight(kg)
15	125	30	150	400	110	170	118	60	250	115	48	102	37.5
18.5	160	35	200	500	150	190	139	71	317	146	65	133	63
22.5	200	45	250	600	190	220	161	82	382	177	85	165	97
28	230	55	300	650	220	250	172	88	436	198	95	203	127
38	270	70	400	750	290	280	185	95	513	240	125	273	210
43.5	325	90	500	880	350	300	199	102	589	277	147	350	296

