

Jinbo Marine

Marine & Offshore Equipment Datasheet

PRODUCT DATASHEET

WARPING ROLLER

CB436-2000 A Type Cleat Fairlead With Single Roller

ISO9001 Supplier

Class Certificate

Export Supply

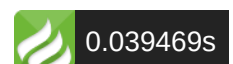
Product Description: It is used for guiding ropes in ship mooring and will not breakdown. Complete with a primer paint finish our Warping Roller (also know as Fairlead roller) are immediately ready for any ve...



Key Highlights

Category	Warping Roller
Standard	DIN
Material	cast steel, cast iron
Weight / Size	Nominal Steel rope GB1102 Breaking Load 1520N/mm ² Dimension Roller weigh...
Certificate	BV , ABS , CCS, NK, LR, DNV & GL, mill certificate etc.

We can supply according to your requirement, drawings, class certificate needs, and delivery schedule.

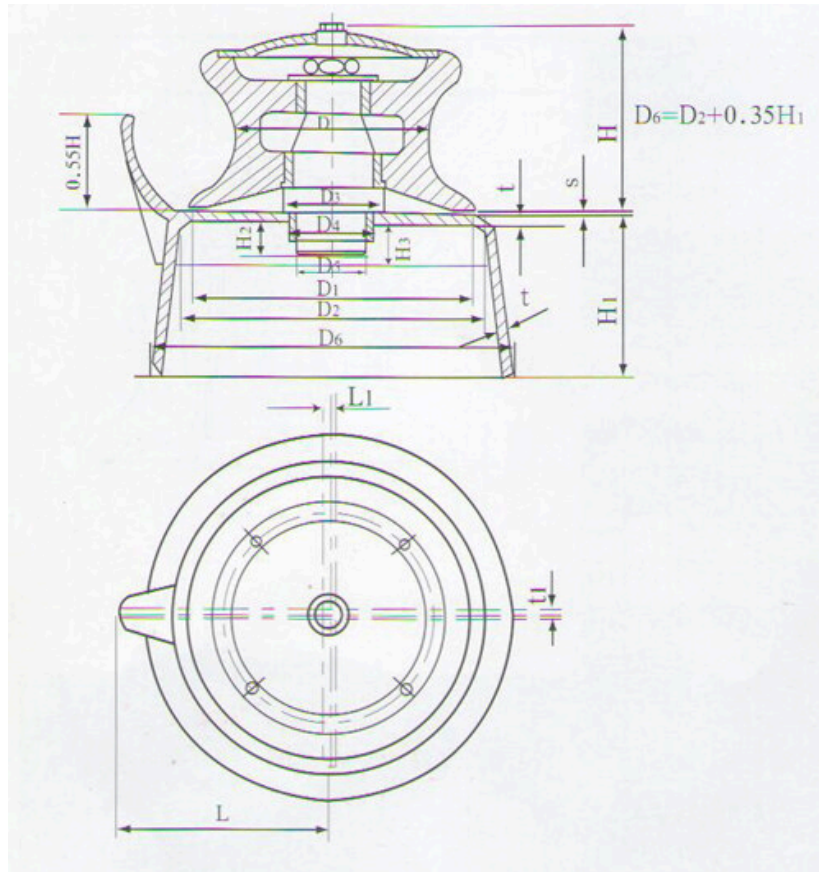


Technical Specifications			
Category	Warping Roller	Model / SKU	CB436-2000-A-Type-Cleat-Fairlead-With-Single-Roller
Standard	DIN	Material	cast steel, cast iron
Weight / Size	Nominal Steel rope GB1102 Breaking Load 1520N/mm ² Dimension Roller weight KG Base weight kg H1=1000 Size(mm) 6*24 6*30 6*37 D1 D2 D3 D4 D5 L H H1 H2 H3 S t t1 Cast iron Cast steel CBRA-001 150 17 17.5 15 240 270 90 71 60 245 211 The base height is as per your request 40 75 3 12 8 32.1 33.8 129 CBRA-002 200 22.5 21.5 19.5 310 340 115 95 80 285 251 50 85 3 14 10 64.6 68 178 CBRA-003 250 24 26 24 380 410 140 107 90 323 298 60 100 4 14 10 108 114 207 CBRA-004 300 30 32.5 28 440 470 160 127 110 355 321 60 100 4 16 14 159 168 265 CBRA-005 350 37.5 39 34.5 500 530 180 144 125 390 346 65 100 4 18 14 235 248 332 CBRA-006 400 41 39 39 560 590 200 161 140 420 371 70 100 5 20 16 336 355 401 CB436-2000 Atype: Adopt CB 58-83 fairlead roller	Surface	Complete with a primer paint finish our Warping Roller (also know as Fairlead roller) are immediately ready for any vessel installation.
Certificate	BV , ABS , CCS, NK, LR, DNV & GL, mill certificate etc.	Warranty	12 Months unless specified otherwise
Origin	China		

Product Description:

It is used for guiding ropes in ship mooring and will not breakdown.

Complete with a primer paint finish our Warping Roller (also know as Fairlead roller) are immediately ready for any vessel installation. Cast from the finest quality steel for added durability, our fairlead roller range utilises a combination of horizontal and vertical rollers to give you a comprehensive solution for your needs.



It is used for bollard cable leading of ships

good wear and corrosion resistance to grant a long service time

All products can be designed according to customers requirements.

The breaking load of tight wire is the highest.

Compact design, precision machined smooth surface, easily removable shafts,

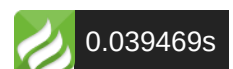
Combination type including double warping roller with plate, three warping roller with plate and more.

Paint: Grey Epoxy Primer, for the middle paint and surface according to your requirement.

Delivery time: 7-15 days after order be confirmed.

Machining facilities : CNC center, CNC lathes, ultrasonic wave cleaning etc

CB436-2000 A type Cleat fairlead with single roller																					
Product No.	Nominal	Steel rope GB1102 Breaking Load 1520N/mm ²			Dimension														Roller weight KG		Base weight kg H1=1000
		6*24	6*30	6*37	D1	D2	D3	D4	D5	L	H	H1	H2	H3	S	t	t1	Cast iron	Cast steel		
	Size(m)																				



CB RA-001	150	17	17.5	15	2 4 0	2 7 0	9 0	7 1	6 0	2 4 5	2 1 1	The base height is as per your request	4 0	7 5	3	1 2	8	32. 1	33. 8	129
CB RA-002	200	22.5	21.5	19.5	3 1 0	3 4 0	1 1 5	9 5	8 0	2 8 5	2 5 1		5 0	8 5	3	1 4	1 0	64. 6	68	178
CB RA-003	250	24	26	24	3 8 0	4 1 0	1 4 0	1 0 7	9 0	3 2 3	2 9 8		6 0	1 0 0	4	1 4	1 0	10 8	114	207
CB RA-004	300	30	32.5	28	4 4 0	4 7 0	1 6 0	1 2 7	1 1 0	3 5 5	3 2 1		6 0	1 0 0	4	1 6	1 4	15 9	168	265
CB RA-005	350	37.5	39	34.5	5 0 0	5 3 0	1 8 0	1 4 4	1 2 5	3 9 0	3 4 6		6 5	1 0 0	4	1 8	1 4	23 5	248	332
CB RA-006	400	41	39	39	5 6 0	5 9 0	2 0 0	1 6 1	1 4 0	4 2 0	3 7 1		7 0	1 0 0	5	2 0	1 6	33 6	355	401

CB436-2000 Atype:Adopt CB 58-83 fairlead roller

