

Jinbo Marine

Marine & Offshore Equipment Datasheet

PRODUCT DATASHEET

WARPING ROLLER

CB436-2000 B Type Cleat Fairlead With Single Roller

ISO9001 Supplier

Class Certificate

Export Supply

It is used for bollard cable leading of ships Compact design, precision machined smooth surface, easily removable shafts, Combination type including double warping roller with plate, three warp...



Key Highlights

Category	Warping Roller
Standard	JIS
Material	cast steel, cast iron
Weight / Size	Nominal Steel rope GB1102 Breaking Load 1520N/mm ² Dimension Roller weigh...
Certificate	ABS , BV, CCS, mill certificate etc.

We can supply according to your requirement, drawings, class certificate needs, and delivery schedule.

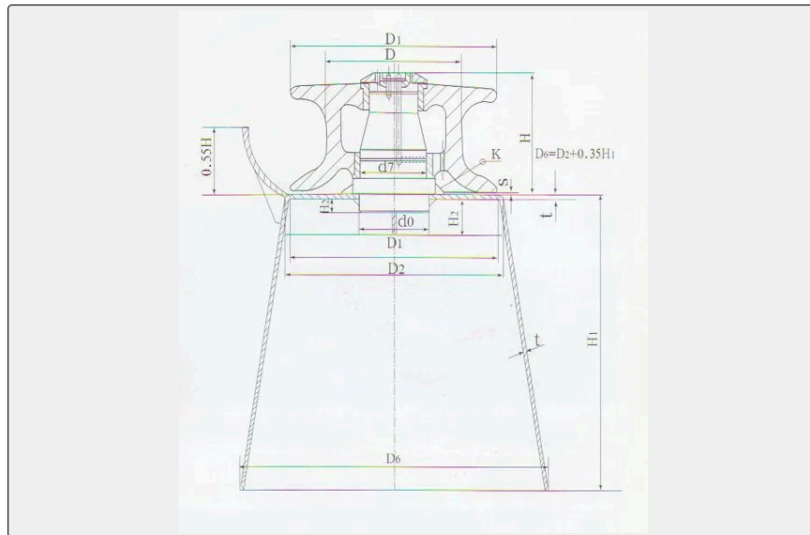


Technical Specifications			
Category	Warping Roller	Model / SKU	CB436-2000-B-Type-Cleat-Fairlead-With-Single-Roller
Standard	JIS	Material	cast steel, cast iron
Weight / Size	<p>Nominal Steel rope GB1102 Breaking Load 1520N/mm² Dimension Roller weight KG Base weight kg H1=1000 Size(mm) 6*24 6*30 6*37 D0 D1 D2 D7 H H1 H2 H3 S t K CBRB-001 150 17 17.5 15 90 240 270 79 158 The base height is as per your request 40 75 5 12 9 24.8 129 CBRB-002 200 22.5 21.5 19.5 115 310 340 99 186 50 85 5 14 10 49.3 178 CBRB-003 250 24 26 24 135 380 410 119 230 60 100 6 14 10 92 207 CBRB-004 300 30 32.5 28 155 440 470 129 255 60 100 7 16 12 127 265 CBRB-005 350 37.5 39 34.5 175 500 530 149 271 65 100 7 18 13 168 332 CBRB-006 400 41 39 39 185 560 590 159 307 70 100 7 20 14 252.5 401 CBRB-007 450 44.5 - 43 210 630 670 179 316 80 120 7 20 14 310 452 CB436-2000 B type: Adopt GB T10105-88 marine fairlead roller Supply scope:</p>	Surface	It is used for bollard cable leading of ships Compact design, precision machined smooth surface, easily removable shafts, Combination type including double warping roller with plate, three warping roller with plate and more.
Certificate	ABS , BV, CCS, mill certificate etc.	Warranty	12 Months unless specified otherwise
Origin	China		

CONTENTS

- China CB436-2000 B Type Cleat Fairlead With Single Roller:
- Supply scope:

China CB436-2000 B Type Cleat Fairlead With Single Roller:



It is used for bollard cable leading of ships

Compact design, precision machined smooth surface, easily removable shafts,

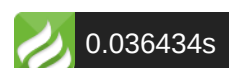
Combination type including double warping roller with plate, three warping roller with plate and more.

Paint: Grey Epoxy Primer, for the middle paint and surface according to your requirement.

Delivery time: 7-15 days after order be confirmed.

Machining facilities :CNC center, CNC lathes, ultrasonic wave cleaning etc

CB436-2000 B type Cleat fairlead with single roller																		
Product No.	Nominal	Steel rope GB1102 Breaking Load 1520N/mm ²			Dimension												Roller weight KG	Base weight kg H1=1000
		6*24	6*30	6*37	D0	D1	D2	D7	H	H1	H2	H3	S	t	K			
	Size (mm)																	



CBR B- 001	150	17	17.5	15	9 0	2 4 0	2 7 0	7 9	1 5 8	The base height is as per your request	4 0	7 5	5	1 2	9	24.8	129
CBR B- 002	200	22.5	21.5	19.5	11 5	3 1 0	3 4 0	9 9	1 8 6		5 0	8 5	5	1 4	1 0	49.3	178
CBR B- 003	250	24	26	24	1 3 5	3 8 0	4 1 0	11 9	2 3 0		6 0	1 0 0	6	1 4	1 0	92	207
CBR B- 004	300	30	32.5	28	1 5 5	4 4 0	4 7 0	1 2 9	2 5 5		6 0	1 0 0	7	1 6	1 2	127	265
CBR B- 005	350	37.5	39	34.5	1 7 5	5 0 0	5 3 0	1 4 9	2 7 1		6 5	1 0 0	7	1 8	1 3	168	332
CBR B- 006	400	41	39	39	1 8 5	5 6 0	5 9 0	1 5 9	3 0 7		7 0	1 0 0	7	2 0	1 4	252.5	401
CBR B- 007	450	44.5	-	43	2 1 0	6 3 0	6 7 0	1 7 9	3 1 6		8 0	1 2 0	7	2 0	1 4	310	452
CB436-2000 B type: Adopt GB T10105-88 marine fairlead roller																	

Supply scope:

DIN 81906-1999 Fairlead roller

NS2585 Type Marine warping roller----Also known as GB 10105-88 warping roller

JIS F2014-1987 fairlead roller

KOREAN WARPING ROLLER

CB58-83 fairlead roller

Cleat fairlead with single roller CB436-2000 type A

Cleat fairlead with single roller CB436-2000 type B

Double Warping Roller With Plate

DIN81907 1997 Fairleads roller

A type Fairlead Rollers