

# Jinbo Marine

Marine & Offshore Equipment Datasheet

PRODUCT DATASHEET

## FILTER

# CB497 Inhalable Coarse Water Filter

CB497 Inhalable Coarse Water Filter 1.Sea water filters are manufactured as per National Specifications for Shipbuilding industry, CB497-1994. 2.Shell of the filter ia made of structural carbon steel Q235A, with s...

ISO9001 Supplier

Class Certificate

Export Supply



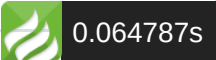
## Key Highlights

Category	Filter
Standard	DIN
Material	2.Shell of the filter ia made of structural carbon steel Q235A, with she...
Weight / Size	3.It's widely applied for filtering system of various pipelines,includin...
Certificate	ABS, LR, BV, DNVGL, NK, KR, IRS, RMRS, CCS

We can supply according to your requirement, drawings, class certificate needs, and delivery schedule.



Technical Specifications			
<b>Category</b>	Filter	<b>Model / SKU</b>	CB497-Inhalable-Coarse-Water-Filter
<b>Standard</b>	DIN	<b>Material</b>	2.Shell of the filter ia made of structural carbon steel Q235A, with shell surface galvanized in a thickness no less than 20um.Filter mesh is made of stainless steel 1Cr18Ni9,effective pass-through area of the filter mesh shall be at least 2.5 times of nominal sectional area of inlet/outlet.
<b>Weight / Size</b>	<p>3.It's widely applied for filtering system of various pipelines,including seawater or freshwater pipeline on various vessels and ships,power staion related pipelines,chemical pipelines and sewage treatment pipelines Work pressure Path ≤0.4Mpa 40-500mm CB497 Inhalable Coarse Water Filter Drawing CB497 Inhalable Coarse Water Filter Technical Parameters DN SStructure size Flange Installing size L H H1 DO δ D D1 D2 b d0 n L1 L2 L3 L4 d1 A BR BL 40 270 135 255 92 133 5 125 93 74 15 15 6 50 135 103 84 65 310 155 325 122 155 155 123 104 14 80 350 175 160 152 180 6 170 138 118 8 100 420 210 415 182 250 190 158 138 125 445 257 215 183 164 10 150 490 245 470 190 312 240 208 190 12 200 540 270 550 240 352 8 295 264 247 15 440 110 80 50 17 250 600 300 675 315 450 365 327 306 16 17 14 520 490 300 660 330 770 340 500 430 386 360 19 21 590 560 100 70 350 850 425 963 508 580 10 480 436 410 20 16 680 640 120 80 19 400 950 995 515 69 12 530 486 460 21 770 730 450 1050 1040 550 754 580 536 512 18 880 830 140 90 23 500 1180 1120 630 854 635 591 567 20 980 930 160 110</p>	<b>Surface</b>	galvanized



<b>Certificate</b>	ABS, LR, BV, DNVGL, NK, KR, IRS, RMRS, CCS	<b>Warranty</b>	12 Months unless specified otherwise
<b>Origin</b>	China		

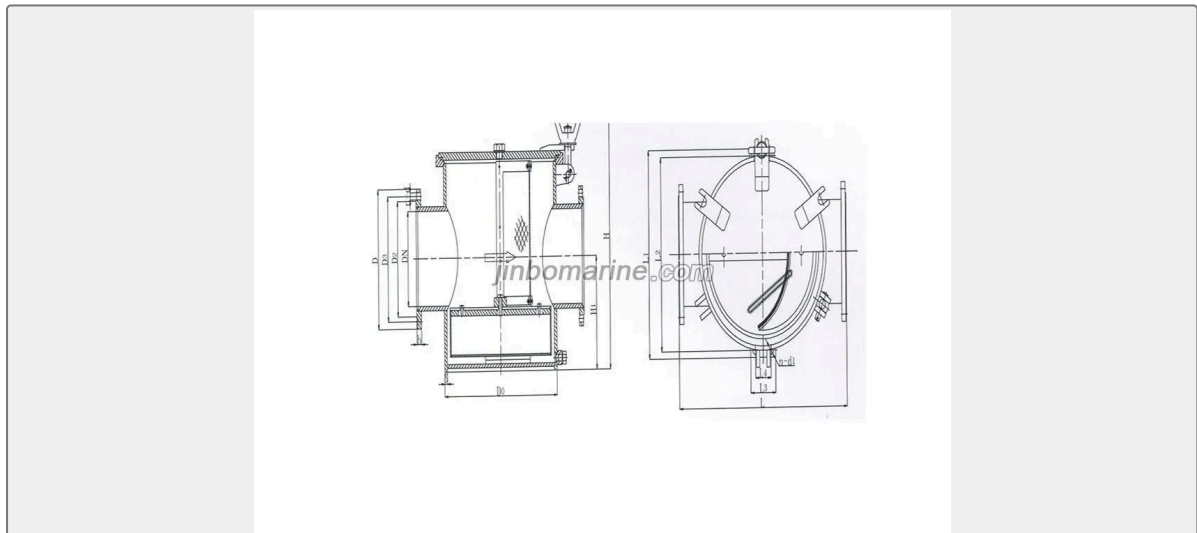
<b>CONTENTS</b>	■ CB497 Inhalable Coarse Water Filter	■ CB497 Inhalable Coarse Water Filter Drawing
	■ CB497 Inhalable Coarse Water Filter Technical Parameters	

## CB497 Inhalable Coarse Water Filter

- 1.Sea water filters are manufactured as per National Specifications for Shipbuilding industry, CB497-1994.
- 2.Shell of the filter ia made of structural carbon steel Q235A, with shell surface galvanized in a thickness no less than 20um.Filter mesh is made of stainless steel 1Cr18Ni9,effective pass-through area of the filter mesh shall be at least 2.5 times of nominal sectional area of inlet/outlet.
- There are three options of inlet/outlet pattern available for users'choice for layout of piping,namely,(A)straightforward pattern,(B)straightforward by right side;(C)straightforward by left side.
- 3.It's widely applied for filtering system of various pipelines,including seawater or freshwater pipeline on various vessels and ships,power staion related pipelines,chemical pipelines and sewage treatment pipelines

Work pressure	Path
≤0.4Mpa	40-500mm

## CB497 Inhalable Coarse Water Filter Drawing



## CB497 Inhalable Coarse Water Filter Technical Parameters

DN	SStructure size					Flange						Installing size						
	L		H	H1	DO	δ	D	D1	D2	b	d0	n	L1	L2	L3	L4	d1	
	A	BR BL																
																		0.064787s

40	270	135	255	92	133	5	125	93	74	15	15	6					
50							135	103	84								
65	310	155	325	122	155		155	123	104	14							
80	350	175	160	152	180	6	170	138	118			8					
100	420	210	415	182	250		190	158	138								
125			445		257		215	183	164			10					
150	490	245	470	190	312		240	208	190			12					
200	540	270	550	240	352	8	295	264	247	15			44	11	80	50	17
													0	0			
250	600	300	675	315	450		365	327	306	16	17	14	52	49			
													0	0			
300	660	330	770	340	500		430	386	360	19	21		59	56	10	70	
													0	0	0		
350	850	425	963	508	580	10	480	436	410	20		16	68	64	12	80	19
													0	0	0		
400	950	995	515	69	12	530	486	460	21	770			73				
													0				
450	1050	1040	550	754		580	536	512		18		880	83	14	90	23	
													0	0			
500	1180	1120	630	854		635	591	567		20		980	93	16	11		
													0	0	0		

