

Jinbo Marine

Marine & Offshore Equipment Datasheet

PRODUCT DATASHEET

MARINE FAN/BLOWER

CBL Marine Explosion Proof Centrifugal Fan Type I

ISO9001 Supplier

Class Certificate

Export Supply

General: CBL series marine explosion proof centrifugal fan is designed and manufactured according to GB11799-89 (marine explosion proof centrifugal fan), and general description and explosion proof electrical equi...



Key Highlights

Category	Marine Fan/Blower
Standard	DIN
Material	Steel Casing & Aluminum Alloy Impeller
Weight / Size	Small size, light weight, low noise.
Certificate	CCS, BV, ABS, GL, LR, DNV, NK,RINA, KR,IRS

We can supply according to your requirement, drawings, class certificate needs, and delivery schedule.

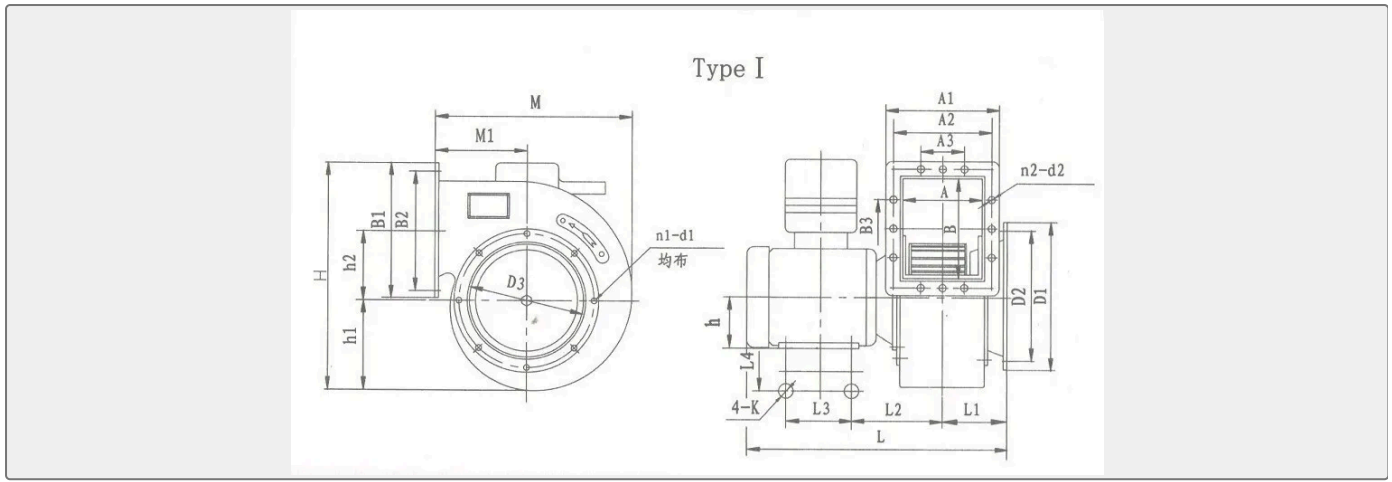
Technical Specifications

Category	Marine Fan/Blower	Model / SKU	CBL-Marine-Explosion-Proof-Centrifugal-Fan-Type-I
Standard	DIN	Material	Steel Casing & Aluminum Alloy Impeller
Weight / Size	Small size, light weight, low noise.	Certificate	CCS, BV, ABS, GL, LR, DNV, NK,RINA, KR,IRS
Warranty	12 Months unless specified otherwise	Origin	China

CONTENTS

- General:
- Structural Types:
- Main Parameter:
- Application:
- Features:





General:

CBL series marine explosion proof centrifugal fan is designed and manufactured according to GB11799-89 (marine explosion proof centrifugal fan), and general description and explosion proof electrical equipment "d" of GB3836-83 (electrical apparatus for explosive atmosphere) and Regulations for the Construction and classification of sea-going steel ships.

Application:

It can be used to delivery the gas mixtures or vapour containing combustibles and explosives, ordinary air, sea air containing salt fog, air containing oil fog and other corrupt air supply or extraciton.

This kind of explosion proof fan is suitable to pump out gas mixtures or vapour containing combustibles and explosives in oil tank,cargo tank, pump room,battery cabin,ammunition cabin,hangar,paint house, etc. It also can be used for ventilation of other compartments of shipping and corresponding place on the land.

The fan can be with AC 50HZ,380V or 60HZ, 440V.

Structural Types:

Type I- Direct Coupling type. The vane wheel is mounted directly to motor shaft, and the housing is fixed on the flange of the explosion proof motor.

Type II-Separate cabin type. It is a separate structure, the fan and the motor are put into different cabins, with a driving device, a pairs of flexible coupling, and the driving device consists of bearings, bearing box, shaft brass rings, stuffing, it can be refueled and measure the temperature. One side is fixed on the fan, another side is mounted on the bulkhead.

The fan may be made into a horizontal or vertical, single-stage, single-suction, airtight structure.

Features:

- 1.Expllosion proof, safe, reliable in operation.
2. Small size, light weight, low noise.
- 3.Good anticorrosive.
4. Strongly capable of resisting vacillation,vibration and shocking.

Main Parameter:

Model	Flow rate (m ³ /h)	Total pressure (Pa)	Static pressure (Pa)	speed(r/min)	Motor				Weight(kgs)		
					Freq (Hz)	Power (kw)		Type		I	II
						TypeI	TypeII	TypeI	TypeII		
CBL-15	500	550	490	2920	50	0.75	1.5	YB801-2-H	YB90S-2-H/Y90S-2-H	40	61
	800	540	390								
	600	780	590	3500	60						
	960	645	470								
CBL-16	800	600	490	2920	50	0.75	1.5	YB801-2-H	YB90S-2-H/Y90S-2-H	41	62
	1200	590	340								
	960	860	705	3500	60						
	1400	840	490								
CBL-17	800	695	590	2920	50	0.75	1.5	YB801-2-H	YB90S-2-H/Y90S-2-H	42	63
	1200	685	440								
	960	1000	840	3500	60						
	1400	980	635								
CBL-18	1200	810	635	2920	50	1.1	1.5	YB802-2-H	YB90S-2-H/Y90S-2-H	43	64
	1500	810	540								
	1400	1165	910	3500	60						
	1800	1165	775								
CBL-19	1500	900	735	2920	50	1.5	1.5	YB90S-2-H	YB90S-2-H/Y90S-2-H	44	71
	2000	880	590								
	1800	1295	1060	3500	60						
	2400	1265	840								
CBL-20	800	245	195	1460	50	0.75	1.1	YB802-4-H	YB90S-4-H/Y90S-4-H	45	67
	960	350	285	1750	60						
CBL-20	1500	1050	880	2920	50	2.2	3	YB90L-2-H	YB100L-2-H/Y100L-2-H	55	80
	2000	1030	735								
	1800	1510	1265	3500	60						
	2400	1480	1060								

CBL-21	2000	1175	930	2920	50	2.2	3	YB90L-2-H	YB100L-2-H/Y100L-2-H	58	79
	2500	1165	785								
	2400	1685	1330	3500	60						
	3000	1675	1125								
CBL-22	2500	1275	980	2920	50	2.2	4	YB90L-2-H	YB112M-2-H/Y112M-2-H	60	86
	3000	1255	830								
	3000	1830	1410	3500	60	3	YB100L-2-H		63		
	3600	1805	1195								
CBL-23	2500	1400	1175	2920	50	2.2	4	YB90L-2-H	YB112M-2-H/Y112M-2-H	62	88
	3000	1410	1080								
	3000	2010	1685	3500	60	4	YB112M-2-H		65		
	3600	2030	1550								
CBL-24	1500	410	340	1460	50	0.75	1.1	YB802-4-H	YB90S-4-H/Y90S-4-H	48	75
	2000	360	245								
	1800	590	490	1750	60						
	2400	520	350								
CBL-24	3000	1653	1370	2920	50	3	4	YB100L-2-H	YB112M-2-H/Y112M-2-H	69	102
	4000	1560	1080								
	3600	23502	1970	3500	60	5.5	5.5	YB132S1-2-H	YB132S1-2-H/Y132S1-2-H	104	127
	4800	2235	1550								
CBL-25	2000	430	340	1460	50	1.1	1.1	YB90S-4-H	YB90S-4-H/Y90S-4-H	59	79
	2500	430	295								
	2400	615	490	1750	60						
	3000	615	420								
CBL-25	4000	1910	1570	2920	50	4	4	YB112M-2-H	YB112M-2-H/Y112M-2-H	79	104
	4800	2745	2255	3500	60	7.5	7.5	YB132S1-2-H	YB132S1-2-H/Y132S1-2-H	110	143
CBL-27	2500	510	390	1460	50	1.5	1.5	YB90L-4-H	YB90L-4-H/Y90L-4-H	65	85
	3000	510	340								
	3000	735	560	1750	60						
	3600	735	490								

CBL-29	2500	625	540	1460	50	1.5	1.5	YB90L-4-H	YB90L-4-H/Y90L-4-H	68	88
	3000	570	440								
	3000	900	775	1750	60						
	3600	810	635								
CBL-30	3000	645	540	1460	50	1.5	2.2	YB90L-4-H	YB100L1-4-H/Y100 L1-4-H	70	101
	4000	635	440								
	3600	930	775	1750	60	2.2	YB100L1-4-H	78			
	4800	910	635								
CBL-32	4000	745	590	1460	50	2.2	3	YB100L1-4-H	YB100L2-4-H/Y100L2-4-H	81	106
	5000	735	490								
	4800	1070	840	1750	60	3	YB100L2-4-H	83			
	6000	1060	705								
CBL-33	4000	820	685	1460	50	2.2	3	YB100L1-4-H	YB100L2-4-H/Y100L2-4-H	84	109
	5000	795	590								
	4800	1185	990	1750	60	3	YB100L2-4-H	86			
	6000	1135	840								
CBL-34	5000	860	685	1460	50	3	4	YB100L2-4-H	YB112M-4-H/Y112M-4-H	87	123
	6000	840	590								
	6000	1235	990	1750	60	4	YB112M-4-H	100			
	7200	1215	840								
CBL-36	5000	970	830	1460	50	4	4	YB112M-4-H	YB112M-4-H/Y112M-4-H	83	106
	6000	930	735								
	7200	870	590								
	6000	1390	1195	1750	60	5.5	5.5	YB132S-4-H	YB112M-4-H	105	138
	7200	1330	1060					Y112M-4-H			
	8600	1255	840								
CBL-37	6000	1010	830	1460	50	4	4	YB112M-4-H	YB112M-4-H/Y112M-4-H	108	131
	7200	990	735								
	7200	1450	1195	1750	60	5.5	5.5	YB132S-4-H	YB132S-4-H/Y132S-4-H	130	163
	8600	1420	1060								
CBL-39	6000	490	340	970	50	2.2	2.2	YB112M-6-H	YB112M-6-H/Y112M-6-H	111	134
	7200	705	490	1160	60						

CBL-39	7200	1185	980	1460	50	5.5	7.5	YB132S-4-H	YB132M-4-H/Y132M-4-H	13	18
	9000	1090	785		8	6					
	8600	1705	1410	1750	60	7.5	YB132M-4-H		15		
	10800	1560	1125		3						
CBL-40	5000	1215	1080	1460	50	4	4	YB112M-4-H	YB112M-4-H/Y112M-4-H	11	13
	6000	1175	980		2	5					
	6000	1745	1550	1750	60	7.5	7.5	YB132M-4-H	YB132M-4-H/Y132M-4-H	14	18
	7200	1685	1410		9	2					
CBL-42	6000	590	490	970	50	2.2	3	YB112M-6-H	YB132S-6-H/Y132S-6-H	12	17
	7200	540	390		3	9					
	7200	840	705	1160	60	3	YB132S-6-H		14		
	8600	775	560		6						
CBL-42	9000	1305	1080	1460	50	7.5	7.5	YB132M-4-H	YB132M-4-H	16	19
	12000	1285	880		5	8					
	10800	1870	1550	1750	60	11	11	YB160M-4-H	YB160M-4-H/Y160M-4-H	21	26
	14000	1840	1265		8	3					
CBL-44	7200	635	490	970	50	3	3	YB132S-6-H	YB132M1-6-H/Y132M1-6-H	15	19
	9000	600	390		0	3					
	8600	910	705	1160	60	4	YB132M1-6-H		16		
	10800	860	560		0						
CBL-44	9000	1480	1275	1460	50	11	11	YB160M-4-H	YB160M-4-H/Y160M-4-H	22	26
	12000	1450	980		2	7					
	10800	2130	1830	1750	60	15	15	YB160L-4-H	YB160L-4-H/Y160L-4-H	24	28
	14000	2090	1410		0	5					
CBL-46	9000	675	490	970	50	4	4	YB132M1-6-H	YB132M1-6-H/Y132M1-6-H	16	19
	10800	970	340	1160	60	5.5	5.5	YB132M2-6-H	YB132M2-6-H/Y132M2-6-H	18	21
CBL-46	12000	1610	1275	1460	50	15	15	YB160L-4-H	YB160L-4-H/Y160L-4-H	22	27
	15000	1500	980		8	3					
	14000	2300	1830	1750	60	18.	18.	YB180M-4-H	YB180M-4-H/Y180M-4-H	30	24
	18000	2155	1410		5	5				0	5

CBL-48	9000	735	590	970	50	4	4	YB132M1-6-H	YB132M1-6-H	16 9	20 2
	12000	655	390						Y132M1-6-H		
	10800	1060	840	1160	60	5.5	5.5	YB132M2-6-H	YB132M2-6-H	18 5	21 8
	14000	940	560						H/Y132M2-6-H		
CBL-48	12000	1735	1470	1460	50	15	15	YB160L-4-H	YB160L-4-H	24 9	29 4
	15000	1695	1275						Y160L-4-H		
	14000	2490	2120	1750	60	22	22	YB180L-4-H	YB180L-4-H	35 3	39 8
	18000	2440	1830						H/Y180L-4-H		
CBL-50	12000	775	540	970	50	5.5	5.5	YB132M2-6-H	YB132M2-6-H	19 0	22 3
	14000	1110	775	1160	60	7.5	7.5	YB160M-6-H	YB160M-6-H	23 0	27 5
CBL-50	15000	1830	1470	1460	50	18.5	18.5	YB180M-4-H	YB180M-4-H	25 5	30 9
	18000	1795	1275						Y180M-4-H		
	18000	2633	2120	1750	60	22	22	YB180L-4-H	YB180L-4-H	35 9	40 4
	21000	2580	1830						H/Y180L-4-H		
CBL-52	12000	930	735	970	50	7.5	7.5	YB160M-6-H	YB160M-6-H	24 1	28 6
	15000	850	540						Y160M-6-H		
	14000	1330	1060	1160	60	11	11	YB160L-6-H	YB160L-6-H	26 5	31 0
	18000	1225	775						H/Y160L-6-H		
CBL-54	15000	940	685	970	50	7.5	7.5	YB160M-6-H	YB160M-6-H	25 2	29 7
	18000	1350	990	1160	60	11	11	YB160L-6-H	YB160L-6-H	27 6	32 1
CBL-56	15000	1060	830	970	50	11	11	YB160L-6-H	YB160L-6-H	28 7	31 2
	18000	1010	685						Y160L-6-H		
	18000	1520	1195	1160	60	15	15	YB180L-6-H	YB180L-6-H	38 2	42 7
	21000	1440	980						H/YB180L-6-H		
CBL-58	18000	1155	880	970	50	15	15	YB180L-6-H	YB180L-6-H	39 3	43 8
	21000	1655	1265	1160	60	18.5	18.5	YB200L1-6-H	YB200L1-6-H	39 8	45 5