

Jinbo Marine

Marine & Offshore Equipment Datasheet

PRODUCT DATASHEET

MARINE FAN/BLOWER

CBZ Marine Explosion Proof Axial Fan (Deck Type)

ISO9001 Supplier

Class Certificate

Export Supply

CBZ-I Marine Explosion Proof Axial Fan is the explosion proof fan installed on the deck.

General: CBZ seriesmarine explosion proof axial fanis designed and manufactured according to GB11800-89 (marine explosi...



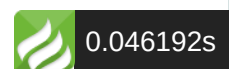
Key Highlights

Category	Marine Fan/Blower
Standard	DIN
Material	Steel, Aluminum
Weight / Size	Model Folw rate Total pressure Pa Static pressure Pa speed Motor Weight ...
Certificate	CCS, BV, ABS, GL, LR, DNV, NK,RINA

We can supply according to your requirement, drawings, class certificate needs, and delivery schedule.

Technical Specifications

Category	Marine Fan/Blower	Model / SKU	CBZ-Marine-Explosion-Proof-Axial-Fan-Deck-Type
Standard	DIN	Material	Steel, Aluminum



Weight / Size

Model Folw rate Total pressure Pa
 Static pressure Pa speed Motor
 Weight m3/h r/min Freq Hz Power
 kw Type CBZ-30A 1200 250 230
 2920 50 0.75 YB80L1-2-H 83 58
 1800 170 140 1400 360 330 3500
 60 2100 240 200 CBZ-30B 1000
 230 220 2920 50 84 59 1200 150
 140 1200 330 320 3500 60 1400
 220 200 CBZ-35A 3000 360 320
 2920 50 1.1 YB80L2-2-H 92 66
 4500 240 140 3600 520 460 3500
 60 5400 340 200 CBZ-35B 1800
 360 340 2920 50 91 65 3000 220
 180 2100 510 490 3500 60 3600
 330 270 CBZ-40A 4500 550 490
 2920 50 2.2 YB90L-2-H 97 80
 6000 470 370 5400 800 710 3500
 60 7200 680 530 CBZ-40B 3000
 490 460 2920 50 96 79 4500 380
 320 3600 710 670 3500 60 5400
 540 460 CBZ-50A 6000 210 170
 1460 50 1.1 YB90S-4-H 99 91
 7200 300 240 1750 60 CBZ-50B
 6000 640 600 2920 50 3 YB100L-
 2-H 111 103 9000 560 460 7200
 920 860 3500 60 4 YB112M-2-H
 119 120 10000 790 670 CBZ-50C
 9000 750 650 2920 50 4 YB112M-
 2-H 119 120 12000 630 460 10000
 1060 940 3500 60 5.5 YB132 S1-
 2-H 143 135 14000 890 660 CBZ-
 60 9000 260 220 1460 50 2.2
 YB100L1-4-H 140 130 12000 220
 140 10000 380 320 1750 60
 14000 310 200 CBZ-70A 12000
 410 370 1460 50 3 YB100L2-4-H
 218 205 15000 350 280 18000
 280 180 14000 590 530 1750 60 4
 YB112M-4-H 229 216 18000 500
 400 21000 410 280 CBZ-70B
 9000 390 370 1460 50 2.2
 YB100L1-4-H 216 170 12000 270
 230 15000 210 140 10000 560
 530 1750 60 3 YB100L2-4-H 218
 205 14000 390 330 18000 300
 200 CBZ-75 15000 510 460 1460
 50 4 YB112M-4-H 240 195 18000
 440 370 21000 320 220 24000
 270 140 18000 730 660 1750 60
 7.5 YB132M-4-H 267 252 21000
 630 530 25000 470 320 28000

Certificate

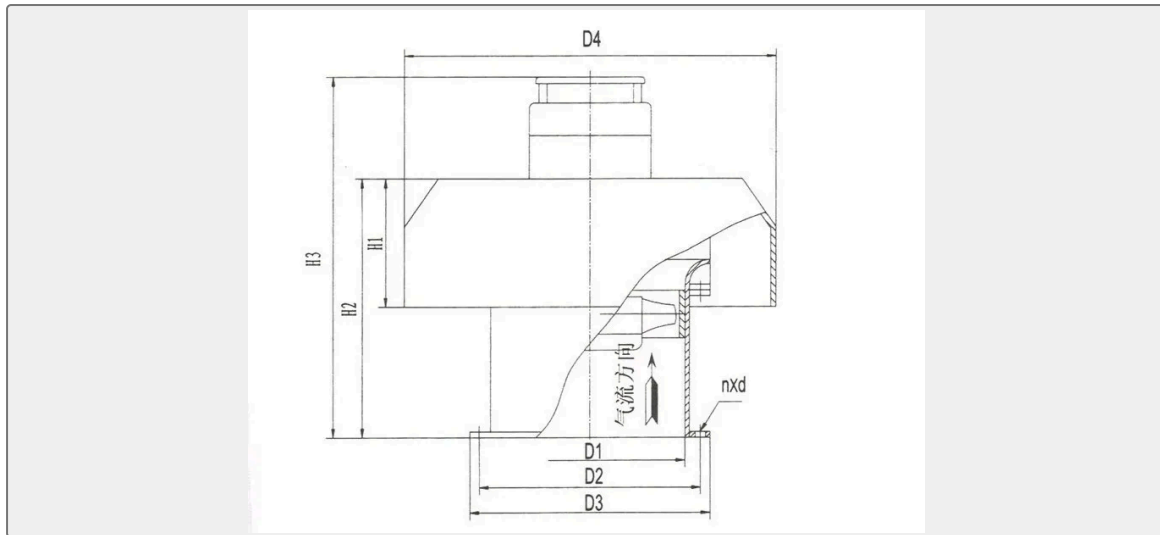
CCS, BV, ABS, GL, LR, DNV,
 NK,RINA

380 200 CBZ-80A 21000 640 560
1460 50 7.5 YB132M-4-H 255 240
24000 560 460 27000 500 370
30000 370 210 25000 910 800
1750 60 11 YB160M-4-H 308 293
28000 800 660 32000 720 530
36000 550 310 CBZ-80B 18000
520 460 1460 50 5.5 YB132S-4-H
240 225 21000 450 370 24000
380 280 27000 290 160 21000
740 660 1750 60 7.5 YB132M-4-H
255 240 25000 640 530 28000
540 400 32000 420 230 CBZ-90A
24000 660 600 1460 50 7.5
YB132M-4-H 283 265 27000 540
460 30000 470 370 33000 330
210 28000 950 860 1750 60 11
YB160M-4-H 336 318 32000 770
660 36000 680 530 40000 480
300 CBZ-90B 27000 730 650
1460 50 11 YB160M-4-H 336 318
30000 660 560 33000 580 460
36000 520 370 32000 1060 940
1750 60 15 YB160L-4-H 354 336
36000 950 800 40000 840 660
48000 760 530 CBZ-90C 30000
840 740 1460 50 15 YB160L-4-H
354 336 33000 770 650 36000
660 510 36000 1220 1070 1750
60 18.5 YB180M-4-H 408 390
39000 1100 930 43000 940 730
CBZ-100A 42000 685 545 1460 50
15 YB160L-4-H 365 345 48000
625 450 54000 585 350 50000
985 780 1750 60 22 YB180L-4-H
470 450 57000 900 645 60000
840 500 CBZ-100B 36000 840
745 1460 50 15 YB160L-4-H 365
345 39000 795 695 43000 1205
1070 1750 60 22 YB180L-4-H 470
450 46000 1140 1000 CBZ-100C
39000 545 505 1460 50 11
YB160M-4-H 350 330 42000 490
450 48000 430 390 46000 780
725 1750 60 15 YB160L-4-H 365
345 50000 705 645 57000 620
560 CBZ-100D 36000 300 205
970 50 7.5 YB160M-6-H 350 330
39000 255 155 43000 430 290
1160 60 11 YB160L-6-H 365 345
46000 365 220 CBZ-110A 42000
550 460 970 50 15 YB180L-6-H

570 545 48000 490 370 54000
 450 300 60000 380 200 50000
 790 660 1160 60 18.5 YB200L1-6-
 H 575 550 57000 700 530 65000
 650 430 72000 550 290 CBZ-110B
 42000 310 220 970 50 7.5
 YB160M-6-H 351 326 48000 260
 140 50000 450 320 1160 60 11
 YB160L-6-H 475 350 57000 370
 200 CBZ-110C 42000 830 740
 1460 50 18.5 YB180M-4-H 530
 500 48000 770 650 54000 710
 560 50000 1190 1060 1750 60 30
 YB200L-4-H 610 585 57000 1110
 940 65000 1020 800 CBZ-120A
 60000 390 280 280 970 15
 YB180L-6-H 700 665 72000 320
 150 150 72000 560 400 400 1160
 18.5 YB200L1-6-H 705 670 86000
 460 215 215 CBZ-120B 60000
 600 470 470 970 18.5 YB200L1-6-
 H 705 670 72000 560 370 370
 84000 480 230 230 72000 860
 670 670 1160 30 YB225M-6-H 845
 810 86000 800 530 530 10000
 690 330 330 CBZ-140A 72000 660
 560 560 970 22 YB200L2-6-H 950
 900 84000 560 460 460 96000
 470 320 320 86000 940 800 800
 1160 30 YB225M-6-H 1068 1018
 100000 800 660 660 115000 670
 460 460 CBZ-140B 96000 470
 320 320 970 22 YB200L2-6-H 950
 900 115000 370 225 225 115000
 670 460 460 1160 30 YB225M-6-H
 1068 1018 138000 530 320 320

Warranty	12 Months unless specified otherwise	Origin	China
-----------------	--------------------------------------	---------------	-------

CONTENTS	<ul style="list-style-type: none"> ■ CBZ-I Marine Explosion Proof Axial Fan is the explosion proof fan installed on the deck. 	<ul style="list-style-type: none"> ■ General:
	<ul style="list-style-type: none"> ■ Application: 	<ul style="list-style-type: none"> ■ Structural Types:
	<ul style="list-style-type: none"> ■ Features: 	<ul style="list-style-type: none"> ■ Main Parameter:



CBZ-I Marine Explosion Proof Axial Fan is the explosion proof fan installed on the deck.

General:

CBZ series marine explosion proof axial fans designed and manufactured according to GB11800-89 (marine explosion proof axial flow fan), and general description and explosion proof electrical equipment "d" of GB3836-83 (electrical apparatus for explosive atmosphere) and Regulations for the Construction and classification of sea-going steel ships.

Application:

It can be used to deliver the gas mixtures or vapour containing combustibles and explosives, ordinary air, sea air containing salt fog, air containing oil fog and other corrupt air supply or extraction.

This kind of explosion proof fan is suitable to pump out gas mixtures or vapour containing combustibles and explosives in oil tank, cargo tank, pump room, battery cabin, ammunition cabin, hangar, paint house, etc. It also can be used for ventilation of other compartments of shipping and corresponding place on the land.

The fan can be with AC 50HZ, 380V or 60HZ, 440V, marine three-phase asynchronous motor.

Structural Types:

Type I-Deck type, with a hood and an explosion proof motor installed on the top of the machine frame, and a wide mesh cover 2mesh/sq in. The fan is vertically fixed on the deck. It may be used for pumping or sending air.

Type II-Duct Type, without hood, built-in type explosion proof motor is mounted on the housing by the down stream guide vane. It can be installed vertically or horizontally, and also can be installed on the deck.

According to the customer's special requirement, the fan can be made into type III, type IV, type V. The fan and the motor are put in different cabins, with a driving device, and sealed box and flexible couplings. It is used primarily for exhaust of dangerous compartment.

Type III can be installed horizontally, type IV and type V can be vertically fixed on the deck.

Features:

1. Explosion proof, safe, reliable in operation.
2. Well anticorrosive.
3. Strongly capable of resisting vacillation, vibration and shocking.

Main Parameter:

Model	Folw rate	Total pressure Pa	Static pressure Pa	speed	Motor			Weight	
	m3/h			r/min	Freq Hz	Power kw	Type		
CBZ-30A	1200	250	230	2920	50	0.75	YB80L1-2-H	83	58
	1800	170	140						
	1400	360	330	3500	60				
	2100	240	200						
CBZ-30B	1000	230	220	2920	50	1.1	YB80L2-2-H	92	66
	1200	150	140						
	1200	330	320	3500	60				
	1400	220	200						
CBZ-35A	3000	360	320	2920	50	1.1	YB80L2-2-H	91	65
	4500	240	140						
	3600	520	460	3500	60				
	5400	340	200						
CBZ-35B	1800	360	340	2920	50	2.2	YB90L-2-H	97	80
	3000	220	180						
	2100	510	490	3500	60				
	3600	330	270						
CBZ-40A	4500	550	490	2920	50	2.2	YB90L-2-H	96	79
	6000	470	370						
	5400	800	710	3500	60				
	7200	680	530						
CBZ-40B	3000	490	460	2920	50	1.1	YB90S-4-H	99	91
	4500	380	320						
	3600	710	670	3500	60				
	5400	540	460						
CBZ-50A	6000	210	170	1460	50	1.1	YB90S-4-H	99	91
	7200	300	240	1750	60				
CBZ-50B	6000	640	600	2920	50	3	YB100L-2-H	111	103
	9000	560	460						
	7200	920	860	3500	60	4	YB112M-2-H	119	120
	10000	790	670						



0.046192s

CBZ-50C	9000	750	650	2920	50	4	YB112M-2-H	119	120
	12000	630	460						
	10000	1060	940	3500	60	5.5	YB132 S1-2-H	143	135
	14000	890	660						
CBZ-60	9000	260	220	1460	50	2.2	YB100L1-4-H	140	130
	12000	220	140						
	10000	380	320	1750	60				
	14000	310	200						
CBZ-70A	12000	410	370	1460	50	3	YB100L2-4-H	218	205
	15000	350	280						
	18000	280	180						
	14000	590	530	1750	60	4			
	18000	500	400						
	21000	410	280						
CBZ-70B	9000	390	370	1460	50	2.2	YB100L1-4-H	216	170
	12000	270	230						
	15000	210	140						
	10000	560	530	1750	60	3			
	14000	390	330						
	18000	300	200						
CBZ-75	15000	510	460	1460	50	4	YB112M-4-H	240	195
	18000	440	370						
	21000	320	220						
	24000	270	140						
	18000	730	660	1750	60	7.5			
	21000	630	530						
	25000	470	320						
	28000	380	200						

CBZ-80A	21000	640	560	1460	50	7.5	YB132M-4-H	255	240	
	24000	560	460							
	27000	500	370							
	30000	370	210							
	CBZ-80B	25000	910	800	1750	60	11	YB160M-4-H	308	293
		28000	800	660						
		32000	720	530						
		36000	550	310						
CBZ-80B	18000	520	460	1460	50	5.5	YB132S-4-H	240	225	
	21000	450	370							
	24000	380	280							
	27000	290	160							
	CBZ-90A	21000	740	660	1750	60	7.5	YB132M-4-H	255	240
		25000	640	530						
		28000	540	400						
		32000	420	230						
CBZ-90A	24000	660	600	1460	50	7.5	YB132M-4-H	283	265	
	27000	540	460							
	30000	470	370							
	33000	330	210							
	CBZ-90B	28000	950	860	1750	60	11	YB160M-4-H	336	318
		32000	770	660						
		36000	680	530						
		40000	480	300						
CBZ-90B	27000	730	650	1460	50	11	YB160M-4-H	336	318	
	30000	660	560							
	33000	580	460							
	36000	520	370							
	CBZ-90B	32000	1060	940	1750	60	15	YB160L-4-H	354	336
		36000	950	800						
		40000	840	660						
		48000	760	530						

CBZ-90C	30000	840	740	1460	50	15	YB160L-4-H	354	336
	33000	770	650						
	36000	660	510						
	36000	1220	1070	1750	60	18.5	YB180M-4-H	408	390
	39000	1100	930						
	43000	940	730						
CBZ-100A	42000	685	545	1460	50	15	YB160L-4-H	365	345
	48000	625	450						
	54000	585	350						
	50000	985	780	1750	60	22	YB180L-4-H	470	450
	57000	900	645						
	60000	840	500						
CBZ-100B	36000	840	745	1460	50	15	YB160L-4-H	365	345
	39000	795	695						
	43000	1205	1070	1750	60	22	YB180L-4-H	470	450
	46000	1140	1000						
CBZ-100C	39000	545	505	1460	50	11	YB160M-4-H	350	330
	42000	490	450						
	48000	430	390						
	46000	780	725	1750	60	15	YB160L-4-H	365	345
	50000	705	645						
	57000	620	560						
CBZ-100D	36000	300	205	970	50	7.5	YB160M-6-H	350	330
	39000	255	155						
	43000	430	290	1160	60	11	YB160L-6-H	365	345
	46000	365	220						

CBZ-110A	42000	550	460	970	50	15	YB180L-6-H	570	545	
	48000	490	370							
	54000	450	300							
	60000	380	200							
	50000	790	660	1160	60	18.5	YB200L1-6-H	575	550	
		57000	700							530
		65000	650							430
		72000	550							290
CBZ-110B	42000	310	220	970	50	7.5	YB160M-6-H	351	326	
	48000	260	140							
	50000	450	320	1160	60	11	YB160L-6-H	475	350	
		57000	370							200
CBZ-110C	42000	830	740	1460	50	18.5	YB180M-4-H	530	500	
	48000	770	650							
	54000	710	560							
	50000	1190	1060	1750	60	30	YB200L-4-H	610	585	
		57000	1110							940
		65000	1020							800
CBZ-120A	60000	390	280	280	970	15	YB180L-6-H	700	665	
	72000	320	150	150						
	72000	560	400	400	1160	18.5	YB200L1-6-H	705	670	
		86000	460	215						215
CBZ-120B	60000	600	470	470	970	18.5	YB200L1-6-H	705	670	
	72000	560	370	370						
	84000	480	230	230						
	72000	860	670	670	1160	30	YB225M-6-H	845	810	
		86000	800	530						530
		10000	690	330						330

CBZ-140A	72000	660	560	560	970	22	YB200L2-6-H	950	900
	84000	560	460	460					
	96000	470	320	320					
	86000	940	800	800	1160	30	YB225M-6-H	1068	1018
	100000	800	660	660					
	115000	670	460	460					
CBZ-140B	96000	470	320	320	970	22	YB200L2-6-H	950	900
	115000	370	225	225					
	115000	670	460	460	1160	30	YB225M-6-H	1068	1018
	138000	530	320	320					