

# Jinbo Marine

Marine &amp; Offshore Equipment Datasheet

PRODUCT DATASHEET

## MARINE FAN/BLOWER

## CDF Circular Duct Fan

Circular duct fan (also known as "UFO fan") is a new type of ventilation equipment, which can be accessed by the standard tube (into and out of outlet size of 100-315mm). With extremely low noise, high static pressur...

ISO9001 Supplier

Class Certificate

Export Supply



### Key Highlights

Category	Marine Fan/Blower
Standard	DIN
Weight / Size	Circular duct fan (also known as "UFO fan") is a new type of ventilation...
Certificate	ABS, LR, BV, DNVGL, NK, KR, IRS, RMRS, CCS

We can supply according to your requirement, drawings, class certificate needs, and delivery schedule.

### Technical Specifications

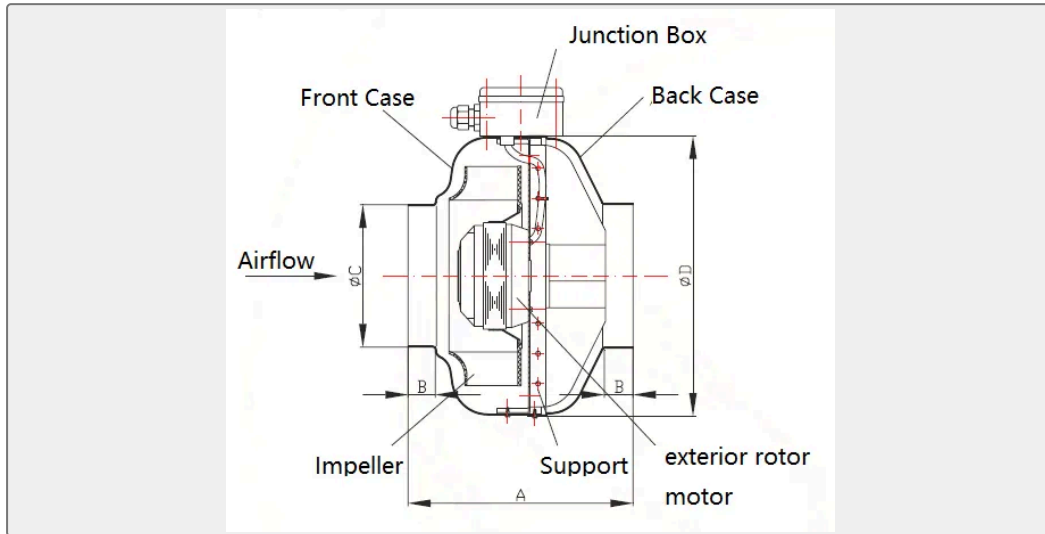
Category	Marine Fan/Blower	Model / SKU	CDF-Circular-Duct-Fan
Standard	DIN	Weight / Size	Circular duct fan (also known as "UFO fan") is a new type of ventilation equipment, which can be accessed by the standard tube (into and out of outlet size of 100-315mm).
Certificate	ABS, LR, BV, DNVGL, NK, KR, IRS, RMRS, CCS	Warranty	12 Months unless specified otherwise
Origin	China		

#### CONTENTS

- China CDF Circular Duct Fan:
  - Specification:
- Installation Method and Using:

## China CDF Circular Duct Fan:

Circular duct fan (also known as "UFO fan") is a new type of ventilation equipment, which can be accessed by the standard tube (into and out of outlet size of 100-315mm). With extremely low noise, high static pressure (350-830PA), small size, easy to install, light weight and so on. Applicable to hotels ventilation can be installed in the preceding pipeline, middle, end pressure for the relay.



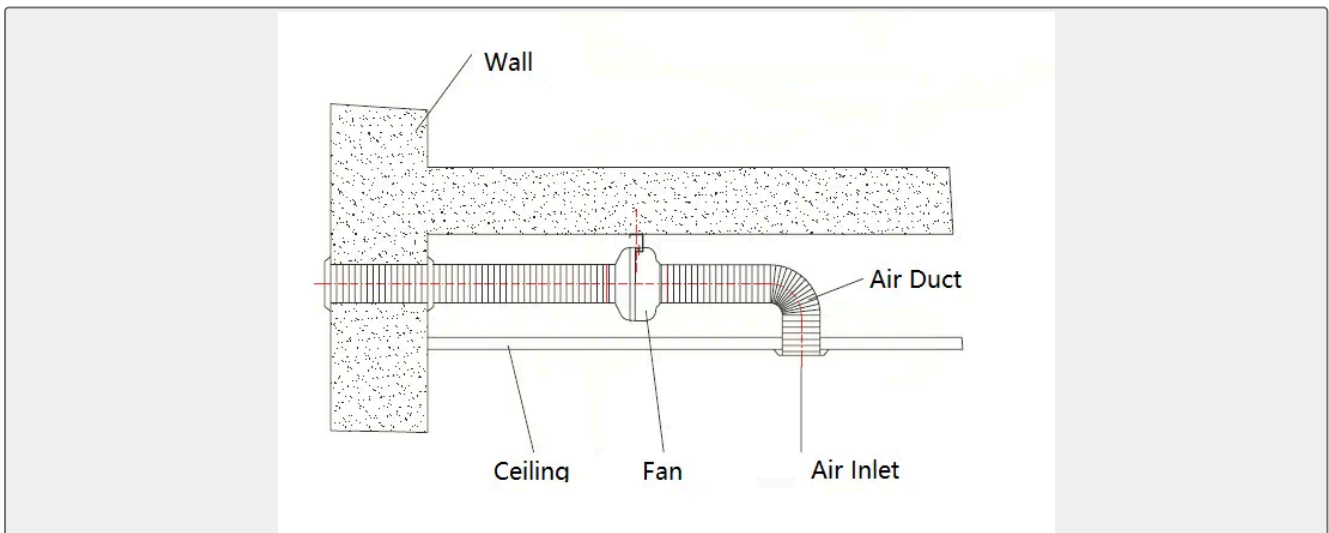
## Installation Method and Using:

It is designed for direct connection in line with standard diameter circular duction.

The impeller is designed for backward impeller, so it has large volume and low noise and not over loading.

The fan is suitable for operation at any angle and deliver exceptional airflow performances against the high static pressures typically found in ducted ventilation systems.

It is used to ventilate in factory and the building.



## Specification:

Model No: CDF100, CDF150, CDF160, CDF200, CDF250, CDF315

Voltage/Frequency(V/Hz): 230/50`220/60`120/60`110/60

Operation Temp: -20°C ~ +60°C

Insulation class,motor:F

Motor protection: IP44