

# Jinbo Marine

Marine & Offshore Equipment Datasheet

PRODUCT DATASHEET

## MARINE CONSERVATION

# CDV2 Deck Valve

CDV Deck Valve is used with Oil Water Interface detector and Sampler, mainly used in oil tanker, chemical tanker, petrochemical industry and marine oil platform. Main Technical Specification: Nominal Diameter...

ISO9001 Supplier

Class Certificate

Export Supply



### Key Highlights

Category	Marine Conservation
Standard	JIS
Material	SUS304
Certificate	ABS, LR, BV, DNVGL, NK, KR, IRS, RMRS, CCS

We can supply according to your requirement, drawings, class certificate needs, and delivery schedule.

### Technical Specifications

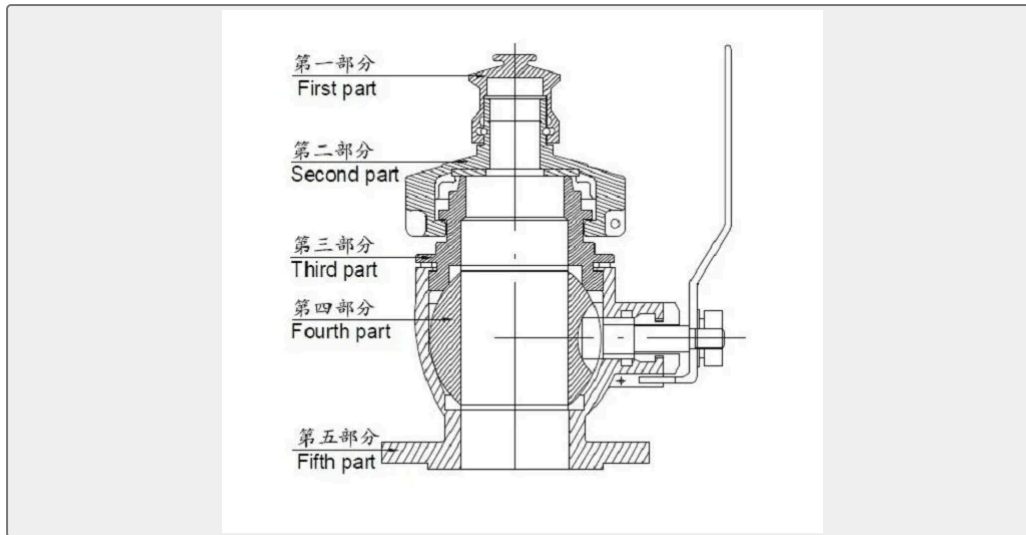
Category	Marine Conservation	Model / SKU	CDV2-Deck-Valve
Standard	JIS	Material	SUS304
Certificate	ABS, LR, BV, DNVGL, NK, KR, IRS, RMRS, CCS	Warranty	12 Months unless specified otherwise
Origin	China		

#### CONTENTS

- China CDV2 Deck Valve:
- Structure:
- Main Technical Specification:
- Function:



## China CDV2 Deck Valve:



CDV Deck Valve is used with Oil Water Interface detector and Sampler, mainly used in oil tanker, chemical tanker, petrochemical industry and marine oil platform.

### Main Technical Specification:

Nominal Diameter: DN50(2")

Nominal Pressure: 0.2Mpa

Material: Stainless Steel 304

Applicable Medium: oil, seawater & chemicals

Flange Standard: CBM, DIN, JIS, ANSI

### Structure:

- First Part: Deck Cover.
- Second Part: Quick Connector for UIT Oil Water Interface Detector
- Third Part: Quick Connector for RDHS-01 Sampler
- Fourth Part: Dia48mm Ball Valve
- Fifth Part: Deck Installation Flange

### Function:

When the operator needs to use measuring equipments such as oil/water interface detector and sludge ruler etc. for oil tanks, pull out the cover of deck valve, and connect quick connectors to deck valve, then open ball valve (rotate 90 degree upward) and all connected equipments can be used. When oil tank hermetic sampling device is needed, screw off the upper part and the bed of sampling device can be installed and fixed on the upper flange of CDV2 ball valve. After opening the ball valve, the operator can take the sample. After using the deck valve, the ball valve should be set in closed position to avoid oil/gas leakage from oil tank.