

Jinbo Marine

Marine & Offshore Equipment Datasheet

PRODUCT DATASHEET

MARINE FAN/BLOWER

CDZ Marine Low Noise Axial Fan

 General: CDZ Series marine low-noise axial fans is new-type & energy-save, low-noise marine product. It has the features of high-efficiency, low-noise, stable-turning, meeting the mari...

ISO9001 Supplier

Class Certificate

Export Supply



Key Highlights

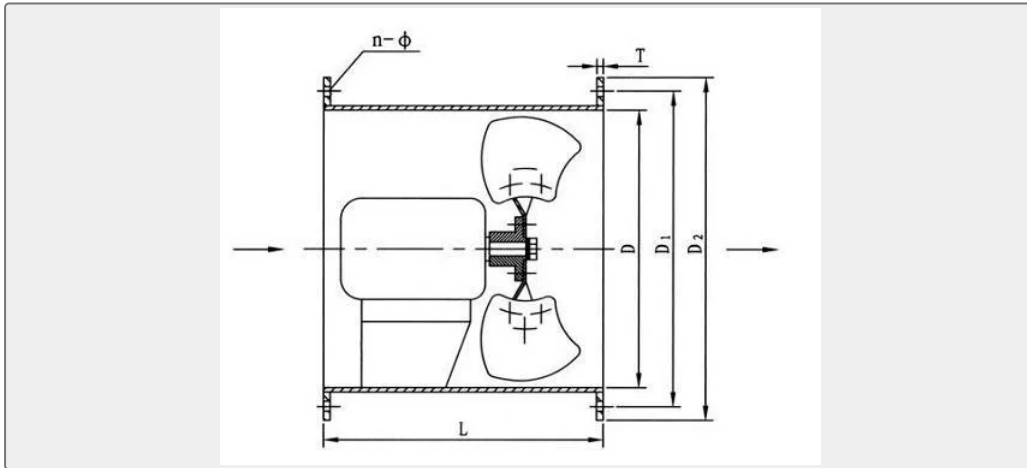
Category	Marine Fan/Blower
Standard	DIN
Material	Steel
Weight / Size	The fan is designed according to arbitrary vortex flow method. We choose ...
Certificate	CCS, BV, ABS, GL, LR, DNV, NK, RINA, KR, IRS

We can supply according to your requirement, drawings, class certificate needs, and delivery schedule.



Technical Specifications			
Category	Marine Fan/Blower	Model / SKU	CDZ-Marine-Low-Noise-Axial-Fan
Standard	DIN	Material	Steel
Weight / Size	The fan is designed according to arbitrary vortex flow method. We choose the most reasonable vortex flow coefficient on the basis of the fan specification, distribute every sectional characteristic speed & length of the vanes, make full use of the high peripheral velocity of the vane point. Therefore, they have the features of high- efficiency, low-noise, large-flow & pressure coefficient, light-weight, etc.	Surface	galvanized
Certificate	CCS, BV, ABS, GL, LR, DNV, NK, RINA, KR, IRS	Warranty	12 Months unless specified otherwise
Origin	China		

CONTENTS	■ General:	■ Features:
	■ Structure:	■ Main Parameter:



General:

CDZ Series marine low-noise axial fans is new-type & energy-save, low-noise marine product. It has the features of high-efficiency, low-noise, stable-turning, meeting the marine conditions, etc. They are suitable for air ventilating and exchanging in every cabin on ships. They are also applicable in other places that suit.



Features:

The fan is designed according to arbitrary vortex flow method. We choose the most reasonable vortex flow coefficient on the basis of the fan specification, distribute every sectional characteristic speed & length of the vanes, make full use of the high peripheral velocity of the vane point. Therefore, they have the features of high- efficiency, low- noise, large-flow & pressure coefficient, light-weight, etc.

In the course of designing & manufacturing, we have thought fully of the marine special conditions, the impellers are strictly made by dynamic balance adjustment & over speed test. Therefore, the fan also has the features of good-corrosive resistance, resistance to swing, resistance to shock and vibration, stable turning, safety & reliability, etc.

Structure:

The impeller is riveted by vane which is pressed by aluminium sheet die set and hub boss which is steel-galvanized. The casing and support art made of common steel and they are treated in corrosion resistance.

Look directly from the motor side, the impeller turn counter clockwise.

Because that the fan's vane are made of aluminium sheet, it suits for using in the conditions of low-pressure, large-flow. The fan can allocate with the marine AC motor.

Main Parameter:

mode	Flow rate (m ³ /h)	Total Pressure(Pa)	speed(r/min)	motor			Outline Dimension(mm)						weig ht
				freq(Hz)	power(kw)	model	D	D1	D2	L	T	nxd	kgs
CDZ-25-2	1800-2000	215-195	2900	50	0.25	Y632-2-H	254	280	298	330	5	8xφ10	15
CDZ-30-2	3600-4000	290-245	2900	50	0.55	Y712-2-H	305	345	381	380	5	8xφ10	26
CDZ-30-4	1800-2000	75-55	1460	50	0.09	Y562-4-H							22
CDZ-40-4	4000-5000	155-135	1460	50	0.75	Y801-4-H	405	445	481	430	8	8xφ12	43
CDZ-50-4	8000-9500	235-205	1460	50	0.75	Y802-4-H	506	560	602	450	8	12xφ15	53
CDZ-50-6	5500-6500	108-98	970	50	0.37	Y802-6-H							45.5
CDZ-60-4	15000-17000	370-320	1460	50	2.2	L100L1-4-H	606	660	712	550	8	12xφ15	92
CDZ-60-6	10000-11500	155-145	970	50	0.75	Y90S-6-H							78
CDZ-70-4	24000-27000	470-420	1460	50	4	Y112M-4-H	706	760	814	600	10	16xφ15	85
CDZ-70-6	16000-18000	205-185	970	50	1.5	Y100L-6-H							73
CDZ-80-6	24000-27000	265-245	970	50	3	Y132S-6-H	807	870	925	720	10	16xφ15	103

