

# Jinbo Marine

Marine & Offshore Equipment Datasheet

PRODUCT DATASHEET

## MARINE AIR CONDITIONER

# CFP Marine Vertical Open Mounted Fan Coil Unit

ISO9001 Supplier

Class Certificate

Export Supply

Description: Fan coil is unit is the end device, which can deal with the temperature and humidity of air conditioning system indirectly. The unit has features of newdesign, easy-operation, stable-working, safety...



### Key Highlights

Category	Marine Air Conditioner
Standard	EN
Certificate	ABS, LR, BV, DNVGL, NK, KR, IRS, RMRS, CCS

We can supply according to your requirement, drawings, class certificate needs, and delivery schedule.

### Technical Specifications

Category	Marine Air Conditioner	Model / SKU	CFP-Marine-Vertical-Open-Mounted-Fan-Coil-Unit
Standard	EN	Certificate	ABS, LR, BV, DNVGL, NK, KR, IRS, RMRS, CCS
Warranty	12 Months unless specified otherwise	Origin	China

#### CONTENTS

- Description:
- Feature:
- Technical data:

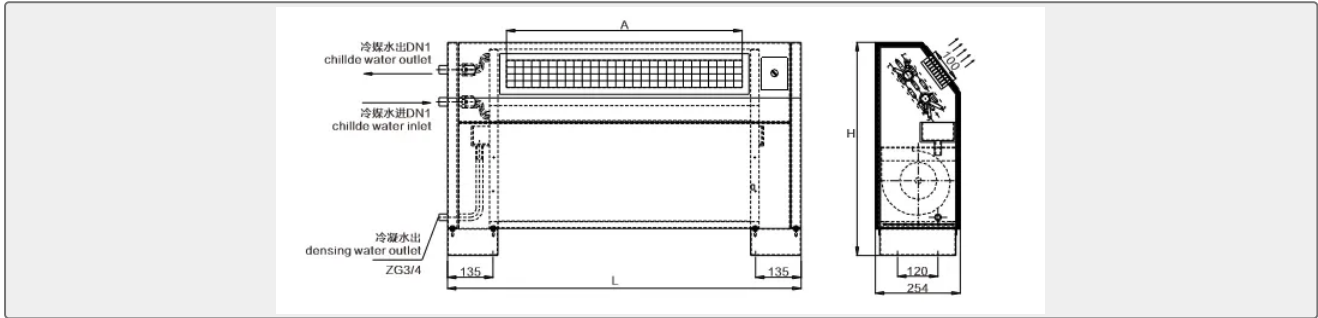
### Description:

Fan coil is unit is the end device, which can deal with the temperature and humidity of air conditioning system indirectly. The unit has features of newdesign, easy-operation, stable-working, safety and convenient-maintaining, etc. They are widely applied for all kinds of passenger ships, cargo ships and oil platforms etc.

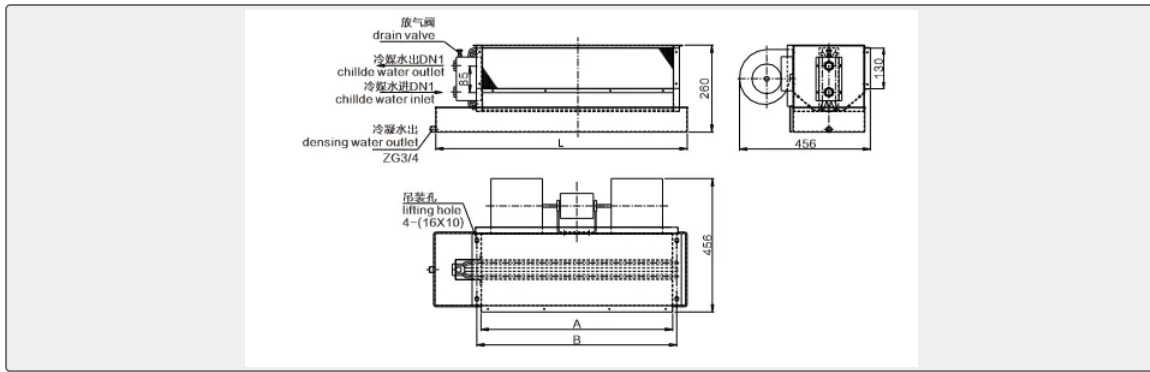
## Feature:

1. Mainly composed of water-air cooler and fan etc
2. Low noise fan;
3. Pressure test, vacuum test and running test have been done before delivery
4. Ready for operation only when connected with pipes and power source after installation
5. Design, manufacture and inspection comply with "CCS" and "navy" standards
6. Special design and manufacture can be done upon user's requirement

## Technical data:



Model		CFP-2	CFP-3	CFP-4	CFP-5	CFP-6	CFP-7	
Cooling capacity	KW	2	3	4	5	6	7	
Heating capacity	KW	3	4	5	6	7	8	
Namely air flow	m3/h	360	540	720	900	1000	1260	
Heating medium		Hot water≥45°C						
Cooling medium		Chilled water 7°C						
Power supply		AC 220V, 1φ60Hz						
Air cooler (heater)	Type	copper tube Al fin						
	Cold/hot water inlet temp.	°C	7/45					
	Water flow	m3/h	0.34	0.52	0.68	0.86	1.03	1.2
	Water pressure loss	Pa	20	25	30	35	35	40
Fan	Type	Low noise centrifugal fan						
	Motor Power	Kw	0.04	0.04	0.04	0.04	0.04	0.04
Noise	dB(A)	≤40	≤44	≤45	≤45	≤46	≤46	



Model		CFP-8	CFP-12	CFP-15	CFP-23	CFP-28	CFP-35	
Cooling capacity	KW	8	12	15	23	28	35	
Heating capacity	KW	9	14	17	26	32	40	
Namely air flow	m3/h	1440	2160	2700	3600	5000	5400	
Heating medium		Hot water $\geq$ 45 $^{\circ}$ C						
Cooling medium		Chilled water 7 $^{\circ}$ C						
Power supply		AC 220V, 1 $\phi$ 60Hz						
Air cooler (heater)	Type	copper tube Al fin						
	Cold/hot water inlet temp.	$^{\circ}$ C	7/45					
	Water flow	m3/h	1.38	2.06	2.58	4	4.81	6
	Water pressure loss	Pa	40	40	45	45	50	55
Fan	Type	Low noise centrifugal fan						
	Motor Power	Kw	0.09	0.09	2x0.09	2x0.09	2x0.09	2x0.09
Noise		dB(A)	$\leq$ 40	$\leq$ 44	$\leq$ 45	$\leq$ 45	$\leq$ 46	$\leq$ 46