

Jinbo Marine

Marine & Offshore Equipment Datasheet

PRODUCT DATASHEET

ACTUATOR SERIES

CG-EHA Electro Hydraulic Actuator

Electro Hydraulic Actuator with high accuracy, fast response, and can achieve high precision control, the transmission is stable and reliable, and the travel regulation is accurate, low speed large torque transmission wit...

ISO9001 Supplier

Class Certificate

Export Supply



Key Highlights

Category	Actuator Series
Standard	ISO
Weight / Size	Model:CG-EHA Voltage:220V 50HZ Working pressure:11Mpa Rotating angle:90 ...
Certificate	ABS, LR, BV, DNVGL, NK, KR, IRS, RMRS, CCS

We can supply according to your requirement, drawings, class certificate needs, and delivery schedule.

Technical Specifications

Category	Actuator Series	Model / SKU	CG-EHA-Electro-Hydraulic-Actuator
Standard	ISO	Weight / Size	Model:CG-EHA Voltage:220V 50HZ Working pressure:11Mpa Rotating angle:90 ±5 degree Ambient temperature:-20 °C to 80 °C Protection Class:IP67 Output signal:0/S 4 to 20mA Outside Dimension:
Certificate	ABS, LR, BV, DNVGL, NK, KR, IRS, RMRS, CCS	Warranty	12 Months unless specified otherwise
Origin	China		

CONTENTS

- China CG-EHA Electro Hydraulic Actuator:
- Outside Dimension:
- Technical Specification:

China CG-EHA Electro Hydraulic Actuator:

Electro Hydraulic Actuator with high accuracy, fast response, and can achieve high precision control, the transmission is stable and reliable, and the travel regulation is accurate, low speed large torque transmission without speed reduction device, actuator for controlling the 0 degree to 90 degree rotary valves and other products, such as butterfly valve, ball valves, air door, flapper valve, plug valve, such as louver valves, can be widely used in petroleum, chemical, water, marine, pulp and paper, power, heating, light industry and other industries.

Technical Specification:

Model: CG-EHA

Voltage: 220V 50HZ

Working pressure: 11Mpa

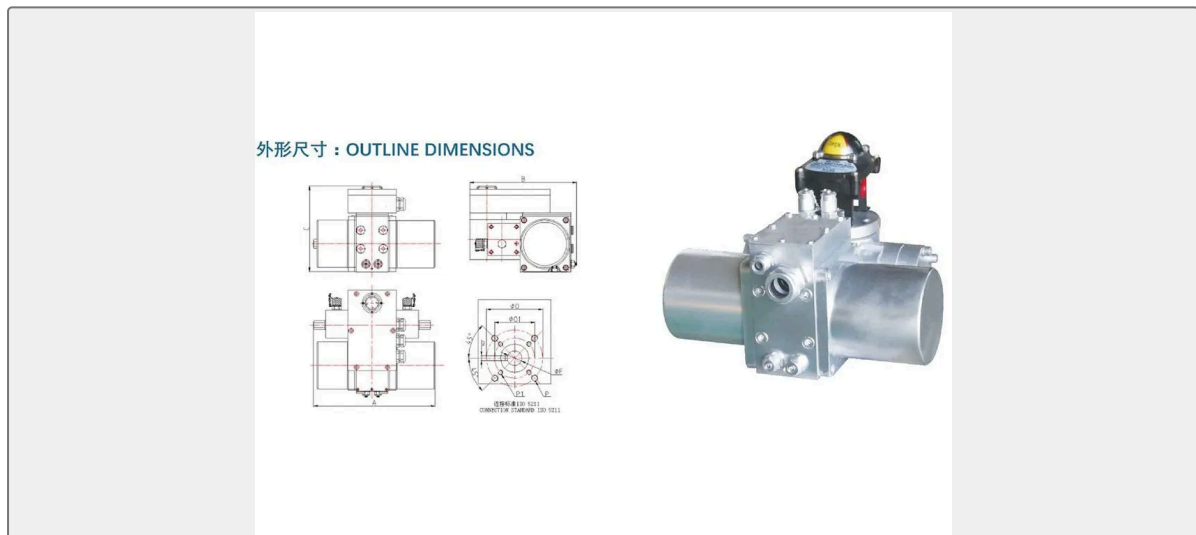
Rotating angle: 90 ±5 degree

Ambient temperature: -20 °C to 80 °C

Protection Class: IP67

Output signal: 0/S 4 to 20mA

Outside Dimension:



Model	CG-HA40	CG-HA50	CG-HA60	CG-HA70	CG-HA80	CG-HA100
ISO Flange	F05-F07	F07-F10	F10-F12	F12	F12-F14	F14-F16
A	294	315	385	492	577	724
B	305	305	357	415	429	479
C	215	230	250	260	280	320
Φ F	18	18/22	22/28	28/36	36/42	50
Φ 0	50	70	102	/	125	140
Φ 01	70	102	125	125	140	165
P	4-M6	4-M8	4-M10	/	4-M12	4-M16

P1	4-M8	4-M10	4-M12	4-M12	4-M16	4-M20
b	5/6	6/8	8/10	10	10/12	16
Max Torque	240	400	690	1130	2050	3650