

# Jinbo Marine

Marine &amp; Offshore Equipment Datasheet

PRODUCT DATASHEET

## MARINE FAN/BLOWER

## CGDL Marine High Efficiency Low Noise Centrifugal Fan

ISO9001 Supplier

Class Certificate

Export Supply

General: CGDL series marine or navy high-efficiency, low-noise centrifugal fan is with new type, energy saving, low noise. By the special design and process, the fan is characterized with high efficiency, low noise,...



### Key Highlights

Category	Marine Fan/Blower
Standard	DIN
Material	Steel
Weight / Size	The fan is adopted with aerofoil blades & inlet that are designed specially...
Certificate	CCS, BV, ABS, GL, LR, DNV, NK, RINA, KR, IRS

We can supply according to your requirement, drawings, class certificate needs, and delivery schedule.

### Technical Specifications

Category	Marine Fan/Blower	Model / SKU	CGDL-Marine-High-Efficiency-Low-Noise-Centrifugal-Fan
Standard	DIN	Material	Steel
Weight / Size	The fan is adopted with aerofoil blades & inlet that are designed specially. The casing dimension and line are designed according to the characteristic speeds. The impellers are processed specially so that the air flows perfectly and the fan has the advantage of high efficiency and low noise.	Certificate	CCS, BV, ABS, GL, LR, DNV, NK, RINA, KR, IRS
Warranty	12 Months unless specified otherwise	Origin	China



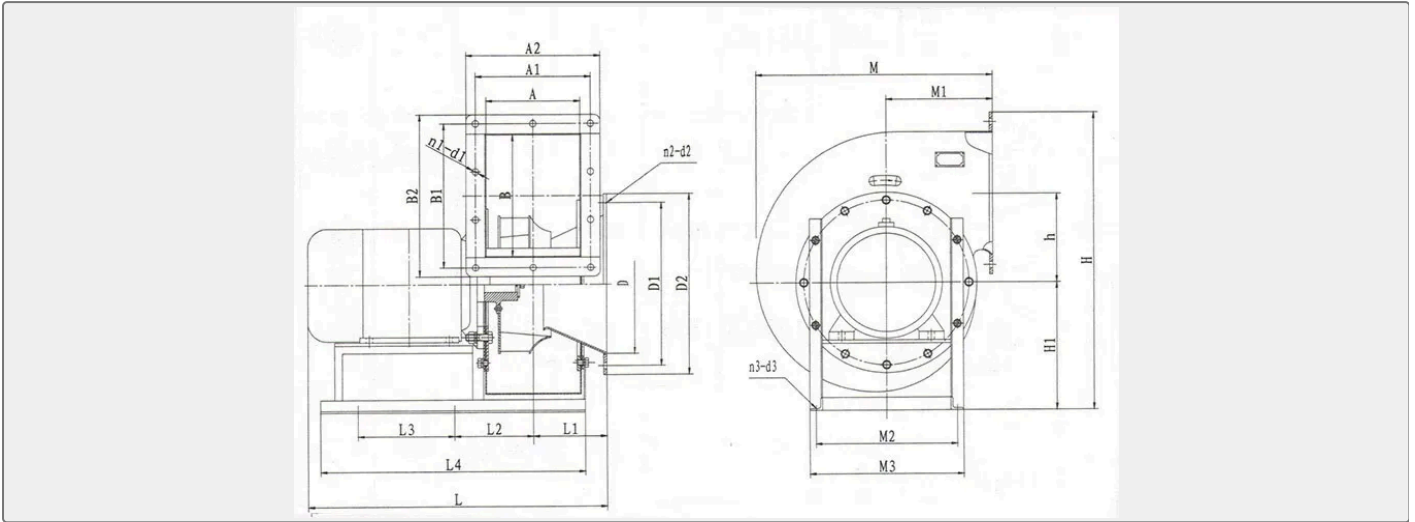
**CONTENTS**

■ General:

■ Structure:

■ Features:

■ Specification:

**General:**

CGDL series marine or navy high-efficiency, low-noise centrifugal fan is with new type, energy saving, low noise. By the special design and process, the fan is characterized with high efficiency, low noise, no overload, stable running and meeting the marine conditions etc. They are suitable for the air ventilation of cabins, also applicable in other places that suit.

**Features:**

The fan is adopted with aerofoil blades & inlet that are designed specially. The casing dimension and line are designed according to the characteristic speeds. The impellers are processed specially so that the air flows perfectly and the fan has the advantage of high efficiency and low noise. When the power gets to the large flow area, the flow gets down oppositely. Therefore, the motor can not be damaged due to the overload.

The special marine conditions have been considered fully when design and manufacturing, the impellers are made of casting aluminum, and strictly adjusted by dynamic balance, tested by the over speed. So the fan has the features of good corrosive resistance, swing resistance, shock resistance, vibration resistance, stable running, safety & reliability, etc.

**Structure:**

The fan are in horizontal type with direct coupling for the motor. However, it can also be constructed with a vertical type according to the actual situation.

The impellers are made by aluminum alloy, the blades are like aerofoil. They are adjusted strictly by dynamic balance. So that they have good air dynamic performance. The casing and the inlet are made by common steel and adopted with corrosion prevention of galvanization. When the machine number is equal to or more than 40, the fan is with frame.

The outlet direction of No.40-80 of the fan ranges between 0 to 225.

## Specification:

Model No	Flow Rate	Total Pressure	Static Pressure	Speed	Noise	Motor		
	m3/h	Pa	Pa	r/min	Db(A)	Freq(Hz)	Power(KW)	Type
CGDL-20-2	400	570	550	2920	63	50	0.37	Y711-2-H
	600	500	450		62			
	800	380	295		63			
	600	790	735	3500	67	60		
	800	680	590		67			
	1000	440	390		67			
CGDL-25-2	800	790	745	2920	68	50	0.55	Y712-2-H
	1100	700	630		67			
	1500	540	410		68			
	1000	1140	1060	3500	72	60		
	1400	990	880		72			
	1800	775	590		73			
CGDL-28-2	1000	970	940	2920	71	50	0.75	Y801-2-H
	1600	860	790		71			
	2200	650	500		72			
CGDL-32-2	1600	1320	1280	2920	75	50	1.1	Y802-2-H
	2200	1220	1130		75			
	3000	940	790		76			
CGDL-32-4	900	330	310	1460	62	50	0.55	Y801-4-H
	1200	290	260		62			
	1500	235	195		63			
	1000	470	450	1750	65	60		
	1400	420	390		65			
	1800	340	280		65			
CGDL-36-2	2400	1690	1620	2920	64	50	2.2	Y90L-2-H
	3300	1550	1430		64			
	4200	1320	1130		65			

CGDL-36-4	1400	330	390	1460	69	50	0.55	Y801-4-H
	1800	380	350		68			
	2200	300	245		69			
	1400	610	590	1750	83	60		
	1900	580	530		83			
	2500	490	420		84			
CGDL-40-2	4000	2160	2040	2920	83	50	4	Y112M-2-H
	5500	1860	1640		83			
	7000	1420	1060		84			
CGDL-40-4	2000	530	500	1460	68	50	0.75	Y802-4-H
	2800	470	410		68			
	3500	370	280		69			
	2400	760	725	1750	72	60	1.1	Y90S-4-H
	3200	700	620		72			
	4200	540	410		73			
CGDL-45-2	5000	2960	2840	2920	88	50	7.5	Y132S-2-H
	7000	2580	2350		87			
	9000	1940	1570		88			
CGDL-45-4	2400	755	725	1460	72	50	1.1	Y90S-4-H
	3600	610	540		72			
	5000	410	290		73			
	3000	1060	1020	1750	76	60	1.1	Y90L-4-H
	4500	870	775		76			
	6000	590	420		77			
CGDL-50-2	8000	3320	3130	2920	91	50	15	Y160M2-2-h
	10000	3030	2740		90			
	12000	2450	2040		91			
CGDL-50-4	4000	830	790	1460	75	50	1.5	Y90L-4-H
	5000	760	690		75			
	6000	620	510		75			
	4500	1220	1160	1750	79	60	2.2	Y100L1-4-H
	6000	1090	980		79			
	7500	755	590		79			

CGDL-55-4	4500	1010	970	1460	77	50	2.2	Y100L1-4-H
	6400	880	800		77			
	8400	690	540		78			
	5400	1450	1390	1750	81	60	4	Y112M-4-H
	7800	1260	1130		81			
	10500	930	710		82			
CGDL-55-6	3400	420	400	970	68	50	0.75	Y90S-6-H
	4200	390	350		68			
	5400	320	260		69			
	4000	610	580	1160	72	60	1.1	Y90L-6-H
	5000	560	510		72			
	6400	450	380		73			
CGDL-60-4	5400	1180	1130	1460	79	50	3	Y100L2-4-H
	7600	1050	960		79			
	9500	790	650		79			
	6500	1690	1620	1750	84	60	5.5	Y132S-4-H
	9000	1540	1410		83			
	12000	1040	820		89			
CGDL-60-6	4500	470	440	970	70	50	1.1	Y90L-6-H
	5600	410	360		70			
	6500	310	240		71			
	4500	710	680	1160	74	60	1.5	Y100L-6-H
	6000	640	580		74			
	7800	430	340		75			
CGDL-70-4	9000	1730	1670	1460	86	50	11	Y160M-4-H
	11000	1700	1610		85			
	14000	1570	1420		85			
	17000	1320	1100		86			

CGDL-70-6	7000	755	715	970	76	50	3	Y132M1-6-H	
	9000	700	640		76				
	11000	610	510		78				
	8000	1090	1040	1160	80	60	4		Y160L-4-H
	10000	1030	950		80				
	13000	850	725		82				
CGDL-80-4	14000	2030	1940	1460	90	50	15	Y160L-4-H	
	18000	1910	1760		89				
	21000	1640	1430		88				
	24000	1320	1060		88				
CGDL-80-6	9000	920	880	970	79	50	4	Y132M1-6-H	
	12500	830	760		79				
	16000	590	470		80				
	9000	1330	1290	1160	83	60	7.5		Y160M-6-H
	12000	1290	1230		83				
	15000	1190	1080		84				
	19000	850	690		84				