

Jinbo Marine

Marine & Offshore Equipment Datasheet

PRODUCT DATASHEET

CHJ MAN OVERBOARD ALARM SYSTEM

CHJ-AN-G Man Overboard Call Point

CHJ-AN-G Man Overboard Call Point Colour: RAL9005 Shell material: ABS Cable gland: 2xPG16 Power supply: DC24V IP rating: IP56

ISO9001 Supplier

Class Certificate

Export Supply



Key Highlights

Category	CHJ Man Overboard Alarm System
Material	RAL9005 Shell material:
Certificate	ABS, LR, BV, DNVGL, NK, KR, IRS, RMRS, CCS

We can supply according to your requirement, drawings, class certificate needs, and delivery schedule.

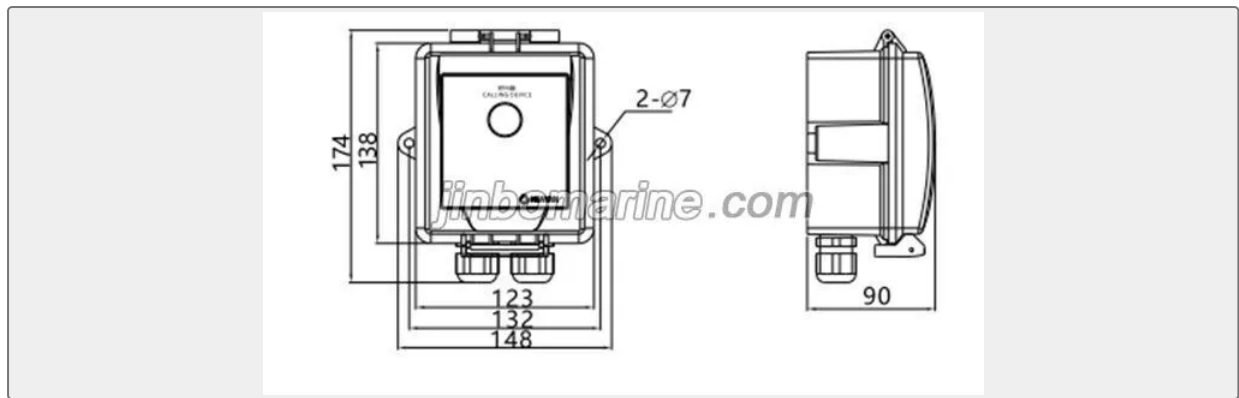
Technical Specifications

Category	CHJ Man Overboard Alarm System	Model / SKU	CHJ-AN-G-Man-Overboard-Call-Point
Material	RAL9005 Shell material:	Certificate	ABS, LR, BV, DNVGL, NK, KR, IRS, RMRS, CCS
Warranty	12 Months unless specified otherwise	Origin	China

China CHJ-AN-G Man Overboard Call Point:

CHJ-AN-G Man Overboard Call Point





Colour: RAL9005

Shell material: ABS

Cable gland: 2xPG16

Power supply: DC24V

IP rating: IP56