

Jinbo Marine

Marine & Offshore Equipment Datasheet

PRODUCT DATASHEET

CHJ ENGINEER SAFETY ALARM SYSTEM

CHJ-QT-G Engineer Safety Alarm Start Or Stop Button

ISO9001 Supplier

Class Certificate

Export Supply

CHJ-QT-G Engineer Safety Alarm Start Or Stop Button Colour: Dull black Shell material: ABS
Cable gland: 2-PG16 IP rating: IP44 With status indicator light ,flashing when alarm



Key Highlights

Category	CHJ Engineer Safety Alarm System
Standard	EN
Material	Dull black Shell material:
Certificate	ABS, LR, BV, DNVGL, NK, KR, IRS, RMRS, CCS

We can supply according to your requirement, drawings, class certificate needs, and delivery schedule.

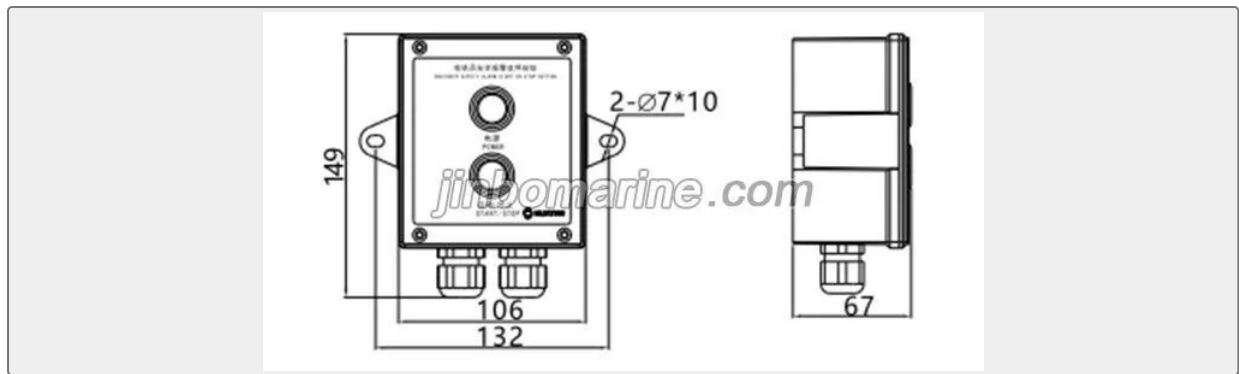
Technical Specifications

Category	CHJ Engineer Safety Alarm System	Model / SKU	CHJ-QT-G-Engineer-Safety-Alarm-Start-Or-Stop-Button
Standard	EN	Material	Dull black Shell material:
Certificate	ABS, LR, BV, DNVGL, NK, KR, IRS, RMRS, CCS	Warranty	12 Months unless specified otherwise
Origin	China		

China CHJ-QT-G Engineer Safety Alarm Start Or Stop Button:

CHJ-QT-G Engineer Safety Alarm Start Or Stop Button





Colour: Dull black

Shell material: ABS

Cable gland: 2-PG16

IP rating: IP44

With status indicator light ,flashing when alarm