

Jinbo Marine

Marine & Offshore Equipment Datasheet

PRODUCT DATASHEET

MARINE AUTOMATIC TELEPHONE SYSTEM

CK-1 64-950 Ways Users Auto-Telephone Exchanger

ISO9001 Supplier

Class Certificate

Export Supply

CK-1 64-950 Ways Users Auto-Telephone Exchanger 1)Chapter 1 of Part 4 of the "Steel Ship Classification Rules" of the China Classification Society; 2)YD/T729-94 method for automatic exchanger network access; 3)G...



Key Highlights

Category	Marine Automatic Telephone System
Standard	EN
Material	CK-1 64-950 Ways Users Auto-Telephone Exchanger 1)Chapter 1 of Part 4 of...
Weight / Size	Type Gate number Power consumption Power supply Colour Shell material IP...
Certificate	ABS, LR, BV, DNVGL, NK, KR, IRS, RMRS, CCS

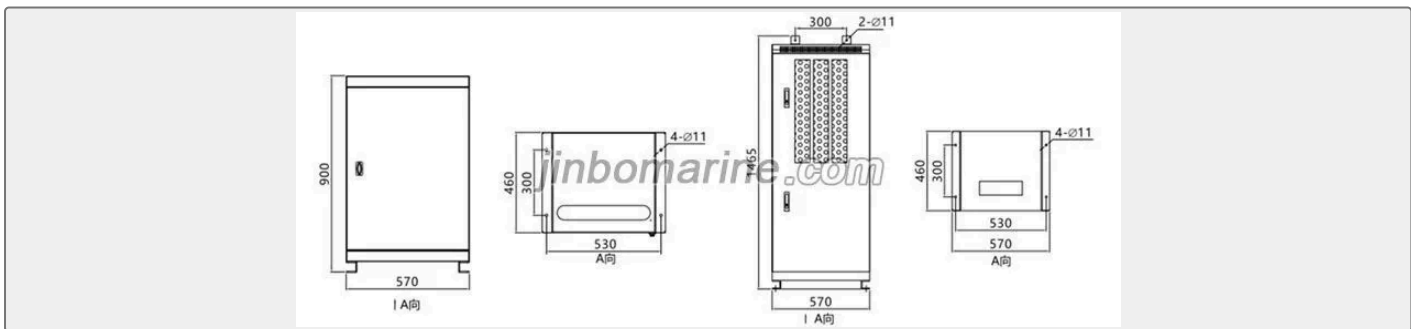
We can supply according to your requirement, drawings, class certificate needs, and delivery schedule.

Technical Specifications			
Category	Marine Automatic Telephone System	Model / SKU	CK-1-64-950-Ways-Users-Auto-Telephone-Exchanger
Standard	EN	Material	CK-1 64-950 Ways Users Auto-Telephone Exchanger 1)Chapter 1 of Part 4 of the " Steel Ship Classification Rules" of the China Classification Society;
Weight / Size	Type Gate number Power consumption Power supply Colour Shell material IP rating Weigt 1 CK-1B 64-208 250 AC220V DC24V White RAL7035 Q235B IP22 51KGS 2 CK-1B 216-950 300 AC220V DC24V White RAL7035 Q235B IP22 85KGS	Certificate	ABS, LR, BV, DNVGL, NK, KR, IRS, RMRS, CCS
Warranty	12 Months unless specified otherwise	Origin	China

China CK-1 64-950 Ways Users Auto-Telephone Exchanger:

CK-1 64-950 Ways Users Auto-Telephone Exchanger

- 1)Chapter 1 of Part 4 of the " Steel Ship Classification Rules" of the China Classification Society;
- 2)YD/T729-94 method for automatic exchanger network access;
- 3)GF002-9002.4 technique specification for automatic exchanger equipments in technical ministry of posts and tele communication.



NO.	Type	Gate number	Power consumption	Power supply	Colour	Shell material	IP rating	Weigt
1	CK-1B	64-208	250	AC220V DC24V	White RAL7035	Q235B	IP22	51KGS
2	CK-1B	216-950	300	AC220V DC24V	White RAL7035	Q235B	IP22	85KGS