

CENTRIFUGAL PUMP

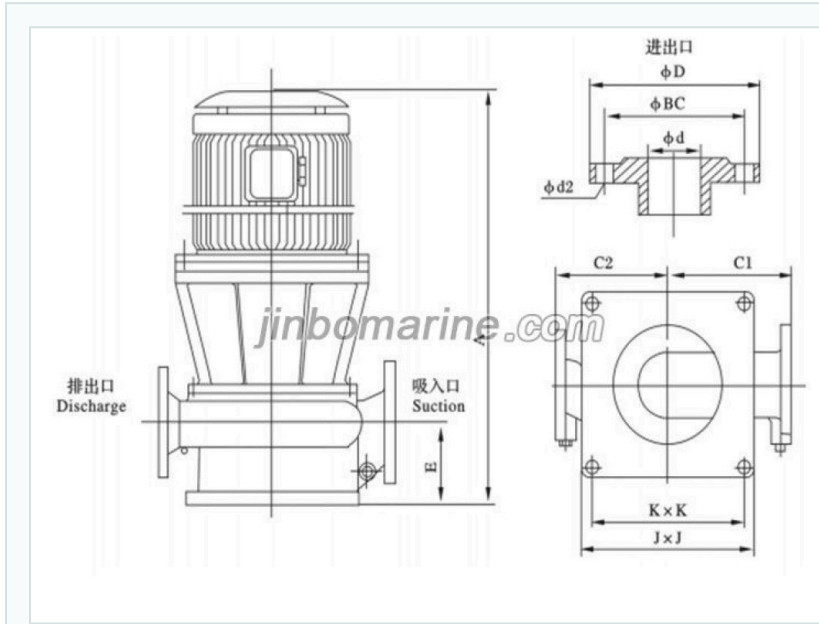
CLH series vertical centrifugal marine pumps

ISO9001 Supplier

Class Certificate

Export Supply

CLH series vertical centrifugal marine pump used in all kinds of shipping and warship for ballast pump, bilge pump, coolant pump, drainage pump and fire pump. It also used as necessary feed pump for seawater desalting de...



Key Highlights

Category	Centrifugal Pump
Standard	DIN
Certificate	ABS, LR, BV, DNVGL, NK, KR, IRS, RMRS, CCS

We can supply according to your requirement, drawings, class certificate needs, and delivery schedule.

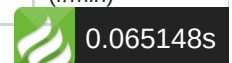
Technical Specifications

Category	Centrifugal Pump	Model / SKU	CLH-series-vertical-centrifugal-marine-pumps
Standard	DIN	Certificate	ABS, LR, BV, DNVGL, NK, KR, IRS, RMRS, CCS
Warranty	12 Months unless specified otherwise	Origin	China

China CLH series vertical centrifugal marine pumps:

CLH series vertical centrifugal marine pump used in all kinds of shipping and warship for ballast pump, bilge pump, coolant pump, drainage pump and fire pump. It also used as necessary feed pump for seawater desalting device and various tank equipment, and the booster pump for petroleum and chemical industry pipelines, cold and hot water circulating system and high-rise building living water supply system.

Type	Capacity	Head	NPSH	Speed
	(m ³ /h)	(m)	(m)	(r/min)



CLH25-25-6.5	3	8	4	2800
CLH25-25-6.5A	2.7	6.5	4	
CLH40-32-2	5	45	4	2950
CLH40-32-2.5	10	60	4	2950
CLH40-32-3	10	45	4	2950
CLH40-32-3.5	5	25	4	2950
CLH40-32-5	10	25	4	2950
CLH50-32-2	12.5	80	2.5	2950
CLH50-32-2A	11.7	70	2.5	2950
CLH50-32-2B	10.8	60	2.5	2950
CLH50-32-3	12.5	65	2.3	2950
CLH50-32-3.5	12.5	50	3.2	2950
CLH50-32-3.5A	10	45	3.5	2950
CLH50-32-4.5	12.5	32	3	2950
CLH50-32-4.5A	10	28	3	2950
CLH50-32-6.5	12.5	20	2.5	2950
CLH50-40-7	20	25	4	2950
CLH50-50-4.5	20	45	5	2950
CLH50-50-4.5A	18.6	38.5	5	2950
CLH65-40-2.5	25	125	3	2950
CLH65-40-2.5A	23.9	114	3	2950

Also have bigger pumps, pls contact us for more information.

