

# Jinbo Marine

Marine & Offshore Equipment Datasheet

PRODUCT DATASHEET

## CENTRIFUGAL PUMP

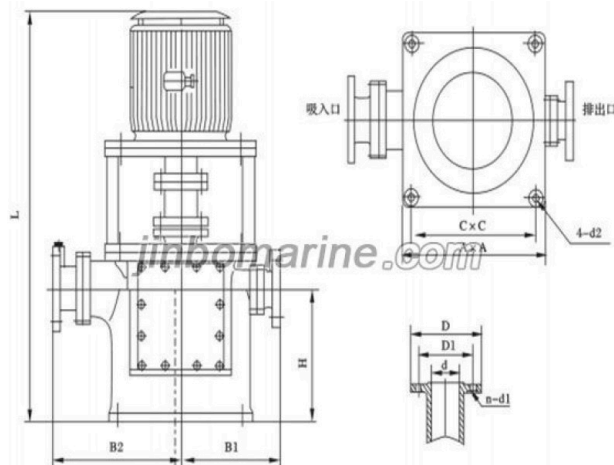
# CLZ Series vertical centrifugal self-priming marine pumps

ISO9001 Supplier

Class Certificate

Export Supply

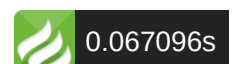
CLZ series vertical centrifugal self-priming marine pumps are of small volume, low weight and high function of self-priming. The type of pump is suitable for ballast, fire control, cooling and so on the bilge in all kinds...



## Key Highlights

Category	Centrifugal Pump
Standard	EN
Weight / Size	CLZ series vertical centrifugal self-priming marine pumps are of small v...
Certificate	ABS, LR, BV, DNVGL, NK, KR, IRS, RMRS, CCS

We can supply according to your requirement, drawings, class certificate needs, and delivery schedule.



Technical Specifications			
<b>Category</b>	Centrifugal Pump	<b>Model / SKU</b>	CLZ-Series-vertical-centrifugal-self-priming-marine-pumps
<b>Standard</b>	EN	<b>Weight / Size</b>	<p>CLZ series vertical centrifugal self-priming marine pumps are of small volumn, low weight and high function of self-priming.The type of pump is suitable for ballast, fire control, cooling and so on the bilge in all kinds of ships and warships .But the mediums temperature should be lower than 80°C Type Capacity Head NPSHr Efficiency (m3/h) (m) (m) (%)</p> <p>40CLZ-2 5 60 3.5 19 40CLZ-2A 4 54 3.5 19 40CLZ-2B 4 38 3.5 19 50CLZ-4.5 12.5 32 4 41 50CLZ-4.5A 11.2 26 4 41 50CLZ-4.5B 10 28 4 41 50CLZ-4.5C 10 20.5 4.5 42 50CLZ-6 20 32 4 49 50CLZ-6A 17 28 4 49 50CLZ-9 27 14.5 4 57 50CLZ-9A 21 12 4 55 50CLZ-7 12.5 20 4 51 50CLZ-7A 10 17 4 51 50CLZ-7B 10 14 4 50 50CLZ-3 12.5 50 4 35 50CLZ-3A 10 45 4 35 50CLZ-3B 10 32 4 35 50CLZ-4 20 50 4 42 50CLZ-4A 17 46 4 42 50CLZ-4B 17 36 4 42 65CLZ-9 25 20 4 61</p> <p>Also have bigger pumps, pls contact us for more information.</p>
<b>Certificate</b>	ABS, LR, BV, DNVGL, NK, KR, IRS, RMRS, CCS	<b>Warranty</b>	12 Months unless specified otherwise
<b>Origin</b>	China		

## China CLZ Series vertical centrifugal self-priming marine pumps:

CLZ series vertical centrifugal self-priming marine pumps are of small volumn, low weight and high function of self-priming.The type of pump is suitable for ballast, fire control, cooling and so on the bilge in all kinds of ships and warships .But the mediums temperature should be lower than 80°C

Type	Capacity	Head	NPSHr	Efficiency
	(m3/h)	(m)	(m)	(%)
40CLZ-2	5	60	3.5	19
40CLZ-2A	4	54	3.5	19
40CLZ-2B	4	38	3.5	



50CLZ-4.5	12.5	32	4	41
50CLZ-4.5A	11.2	26	4	41
50CLZ-4.5B	10	28	4	41
50CLZ-4.5C	10	20.5	4.5	42
50CLZ-6	20	32	4	49
50CLZ-6A	17	28	4	49
50CLZ-9	27	14.5	4	57
50CLZ-9A	21	12	4	55
50CLZ-7	12.5	20	4	51
50CLZ-7A	10	17	4	51
50CLZ-7B	10	14	4	50
50CLZ-3	12.5	50	4	35
50CLZ-3A	10	45	4	35
50CLZ-3B	10	32	4	35
50CLZ-4	20	50	4	42
50CLZ-4A	17	46	4	42
50CLZ-4B	17	36	4	42
65CLZ-9	25	20	4	61

Also have bigger pumps, pls contact us for more information.

