

Jinbo Marine

Marine & Offshore Equipment Datasheet

PRODUCT DATASHEET

MARINE AIR CONDITIONER

CNFS Marine Hot Water Heating Air Fan Unit

ISO9001 Supplier

Class Certificate

Export Supply

Description: CNFS Marine hot-water heating unit, the heating unit, with 90°C hot water as the heating medium, is a critical equipment in main engine room, auxiliary machinery compartment and other compartments. When...



Key Highlights

Category	Marine Air Conditioner
Standard	EN
Weight / Size	Type CNFSZ324 CNFSZ334 CNFSZ524 CNFSZ534 Heating Capacity KW 15.81 18.7...
Certificate	ABS, LR, BV, DNVGL, NK, KR, IRS, RMRS, CCS

We can supply according to your requirement, drawings, class certificate needs, and delivery schedule.

Technical Specifications

Category	Marine Air Conditioner	Model / SKU	CNFS-Marine-Hot-Water-Heating-Air-Fan-Unit
Standard	EN	Weight / Size	Type CNFSZ324 CNFSZ334 CNFSZ524 CNFSZ534 Heating Capacity KW 15.81 18.72 28.37 41.28 Heating water temp.(In/Out) 90/70 90/70 90/70 90/70 Heating water consumption Kg/h 678 805 1220 1775 Water press.
Certificate	ABS, LR, BV, DNVGL, NK, KR, IRS, RMRS, CCS	Warranty	12 Months unless specified otherwise
Origin	China		

CONTENTS

 Description:

 Technical Data:

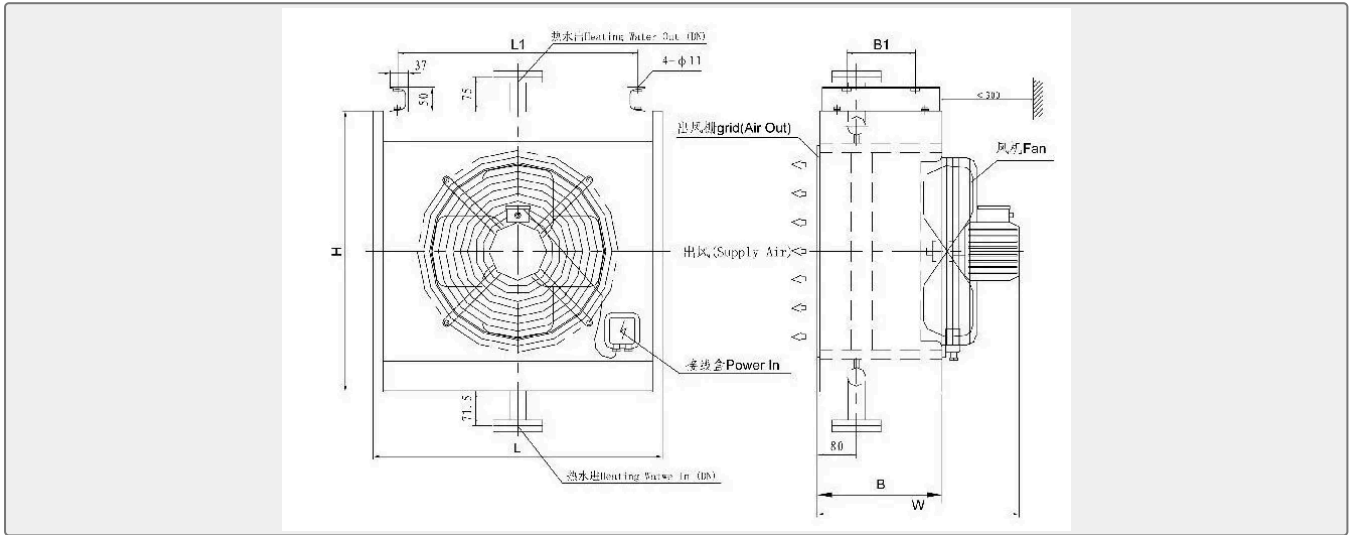

0.058644s

Description:

CNFS Marine hot-water heating unit, the heating unit, with 90°C hot water as the heating medium, is a critical equipment in main engine room, auxiliary machinery compartment and other compartments. When the ship is pulled in and the ambient temperature is close to 0°C, the unit must be started to keep the temperature in each compartment above 0°C to avoid the damage of the equipment and pipelines inside due to low temperature and facilitate the preparation for next voyage of the ship.

The equipment is composed of heat radiation coil pipe and axial fan.

Technical Data:



Type	CNFSZ324	CNFSZ334	CNFSZ524	CNFSZ534
Heating Capacity KW	15.81	18.72	28.37	41.28
Heating water temp.(In/Out)	90/70	90/70	90/70	90/70
Heating water consumption Kg/h	678	805	1220	1775
Water press. Drop	326	340	1280	2000
Air flow m3/h	2350	2330	5050	4980
Supply air temp.°C	37.3	41.6	33.6	42.5
Fan motor power kw	0.2	0.2	0.37	0.37
Noise dB(A)	≤63	≤63	≤70	≤70
Weight Kg	33	39	50	60

Dimension	L(mm)	600	600	750	750
	L1(mm)	490	490	590	590
	H(mm)	600	600	750	750
	W(mm)	450	450	550	550
	B(mm)	240	240	280	280
	B1(mm)	140	140	215	215
	DN(mm)	25	25	32	32
Power Supply	AC380V/440V 3P 50/60Hz AC220/230V 1P 50/60Hz				