

Jinbo Marine

Marine & Offshore Equipment Datasheet

PRODUCT DATASHEET

MARINE AIR CONDITIONER

CNFZ Marine Steam Heating Air Fan Unit

ISO9001 Supplier

Class Certificate

Export Supply

Description: The heating unit, with 0.3Mpa saturated steam as the heating medium, is a critical equipment in main engine room, auxiliary machinery compartment and other compartments. When the ship is pulled in a...



Key Highlights

Category	Marine Air Conditioner
Standard	EN
Weight / Size	Type 4CNFZ2 9CNFZ2 11CNFZ2 13CNFZ2 15CNFZ2 18CNFZ2 21CNFZ2 29CNFZ2 35CNF...
Certificate	ABS, LR, BV, DNVGL, NK, KR, IRS, RMRS, CCS

We can supply according to your requirement, drawings, class certificate needs, and delivery schedule.



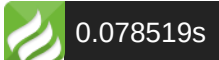
Technical Specifications			
Category	Marine Air Conditioner	Model / SKU	CNFZ-Marine-Steam-Heating-Air-Fan-Unit
Standard	EN	Weight / Size	Type 4CNFZ2 9CNFZ2 11CNFZ2 13CNFZ2 15CNFZ2 18CNFZ2 21CNFZ2 29CNFZ2 35CNFZ2 Heating Capacity KW 4.8 10.4 12.9 14.7 17.8 21.2 24.6 33.4 41.2 Steam pressure Mpa 0.3 ~ 0.4 0.3 ~ 0.4 0.3 ~ 0.4 0.3 ~ 0.4 0.3 ~ 0.4 0.3 ~ 0.4 0.3 ~ 0.4 Steam consumption Kg/h 8.3 17.9 22.2 25.3 30.2 36.5 42.3 57.4 70.8 Air flow m3/h 400 900 1100 1300 1500 1800 2100 2900 3500 Fan motor power kw 0.06 0.12 0.12 0.12 0.18 0.25 0.37 0.37 Noise dB(A) ≤54 ≤59 ≤62 ≤62 ≤66 ≤68 ≤70 ≤73 ≤73 Weight Kg 43 45 47 49 55 57 59 75 77 Dimension L(mm) 520 520 520 520 520 520 520 630 630 L1(mm) 420 420 420 420 520 520 H(mm) 450 450 450 450 595 595 450 700 700 W(mm) 350 350 350 350 450 450 350 550 550 B(mm) 225 225 225 225 280 280 225 340 340 B1(mm) 160 160 160 160 160 160 160 260 260 DN(mm) 25 25 25 25 25 25 32 32 40 Power Supply AC380V/440V 3P 50/60Hz AC220/230V 1P 50/60Hz
Certificate	ABS, LR, BV, DNVGL, NK, KR, IRS, RMRS, CCS	Warranty	12 Months unless specified otherwise
Origin	China		

CONTENTS	<ul style="list-style-type: none"> ■ Description: ■ Technical Data:
-----------------	---

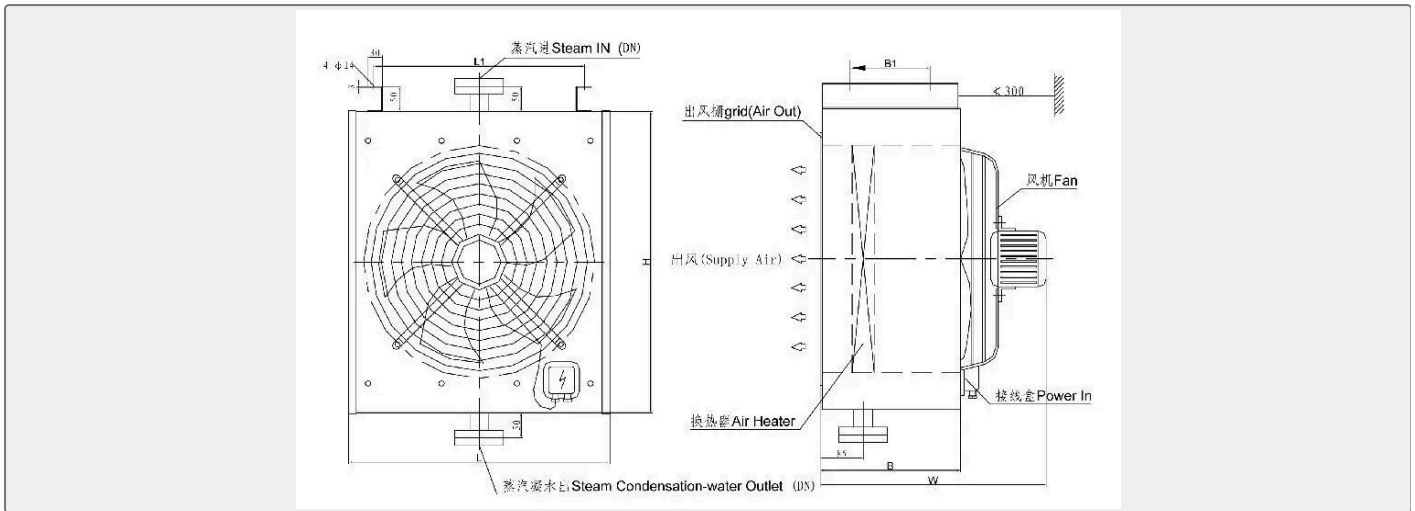
Description:

The heating unit, with 0.3Mpa saturated steam as the heating medium, is a critical equipment in main engine room, auxiliary machinery compartment and other compartments. When the ship is pulled in and the ambient temperature is close to 0°C, the unit must be started to keep the temperature in each compartment above 0°C to avoid the damage of the equipment and pipelines inside due to low temperature and facilitate the preparation for next voyage of the ship.

This equipment is composed of heat radiation coil pipe and axial fan.



Technical Data:



Type	4CNFZ 2	9CNFZ 2	11CNFZ 2	13CNFZ 2	15CNFZ 2	18CNFZ 2	21CNFZ 2	29CNFZ 2	35CNFZ 2
Heating Capacity KW	4.8	10.4	12.9	14.7	17.8	21.2	24.6	33.4	41.2
Steam pressure Mpa	0.3 ~ 0.4	0.3 ~ 0.4	0.3 ~ 0.4	0.3 ~ 0.4	0.3 ~ 0.4	0.3 ~ 0.4	0.3 ~ 0.4	0.3 ~ 0.4	0.3 ~ 0.4
Steam consumption Kg/h	8.3	17.9	22.2	25.3	30.2	36.5	42.3	57.4	70.8
Air flow m3/h	400	900	1100	1300	1500	1800	2100	2900	3500
Fan motor power kw	0.06	0.12	0.12	0.12	0.12	0.18	0.25	0.37	0.37
Noise dB(A)	≤54	≤59	≤62	≤62	≤66	≤68	≤70	≤73	≤73
Weight Kg	43	45	47	49	55	57	59	75	77
Dimension	L(mm)	520	520	520	520	520	520	630	630
	L1(mm)	420	420	420	420	420	420	520	520
	H(mm)	450	450	450	450	595	595	450	700
	W(mm)	350	350	350	350	450	450	350	550
	B(mm)	225	225	225	225	280	280	225	340
	B1(mm)	160	160	160	160	160	160	160	260
	DN(mm)	25	25	25	25	25	25	32	32
Power Supply	AC380V/440V 3P 50/60Hz AC220/230V 1P 50/60Hz								