

SHIP QUICK CLOSING VALVE CONTROL BOX

CPJ series Control Box for Pneumatic Jalousies

ISO9001 Supplier

Class Certificate

Export Supply

Application: CPJ series Control Box for Pneumatic Jalousies is widely used in ship and land with pneumatic remote opening and closing control of the jalousies. It has the advantage of flexible and reliable opera...



Key Highlights

Category	Ship Quick Closing Valve Control Box
Standard	EN
Material	Stainless steel 304 or Carbon Steel
Weight / Size	Mpa Outline Dimension LxBxHmm Weight kg CPJ-40IV 40 4 0.7 0.7 850×370×85... 130 CPJ-50V 50 5 850×370×900 150 CPJ-60VI 60 6 900×400×950 200 CPJ -70VII 70 7 950×450×980 230 CPJ -80VIII 80 8 950×450×1050 250
Certificate	CCS, BV, ABS, GL , LR, NK

We can supply according to your requirement, drawings, class certificate needs, and delivery schedule.

Technical Specifications

Category	Ship Quick Closing Valve Control Box	Model / SKU	CPJ-series-Control-Box-for-Pneumatic-Jalousies
Standard	EN	Material	Stainless steel 304 or Carbon Steel
Weight / Size	Mpa Outline Dimension LxBxHmm Weight kg CPJ-40IV 40 4 0.7 0.7 850×370×850 130 CPJ-50V 50 5 850×370×900 150 CPJ-60VI 60 6 900×400×950 200 CPJ -70VII 70 7 950×450×980 230 CPJ -80VIII 80 8 950×450×1050 250	Certificate	CCS, BV, ABS, GL , LR, NK
Warranty	12 Months unless specified otherwise	Origin	China



0.062130s

CONTENTS

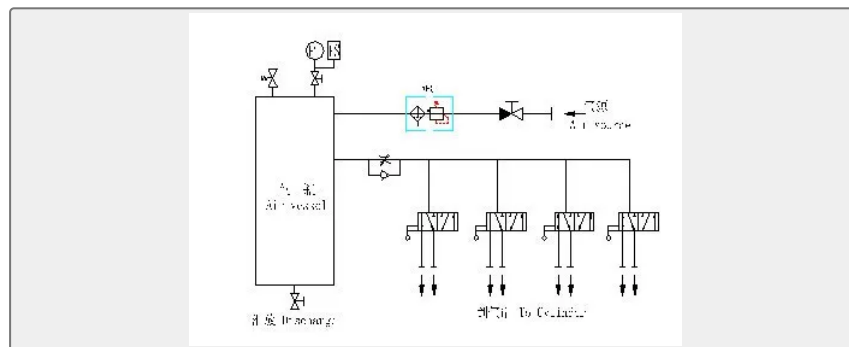
- Application:
- System Principle Drawing:
- Principle Description:
- Technical Data:

Application:

CPJ series Control Box for Pneumatic Jalousies is widely used in ship and land with pneumatic remote opening and closing control of the jalousies. It has the advantage of flexible and reliable operation, control box convenient installation and beautiful appearance.

Principle Description:

Air supply of the gas source processor unit is input the cylinders of the control box. The air in the gas cylinders is divided into a few required roads by the allocator. If you want to operate the opening and closing of jalousies, you can manipulate the control valve in the control box. The gas will push cylinder on the jalousies to make rapid opening and closing. The control box has a governor to adjust opening and closing speed of the jalousies.

System Principle Drawing:**Technical Data:**

Type	Air Vessel Volume L	Control Way	Inlet Press. Mpa	Outlet Press. Mpa	Outline Dimension L×B×Hmm	Weight kg
CPJ-40IV	40	4	0.7	0.7	850×370×850	130
CPJ-50V	50	5			850×370×900	150
CPJ-60VI	60	6			900×400×950	200
CPJ -70VII	70	7			950×450×980	230
CPJ -80VIII	80	8			950×450×1050	250