

Jinbo Marine

Marine & Offshore Equipment Datasheet

PRODUCT DATASHEET

MARINE FAN/BLOWER

CQ Marine Centrifugal Fan

 General: CQ series marine centrifugal fan is capable of blowing air, such as ocean air containing salt vapor and corrosive air containing oil vapor and a small quantity of acid steam which gener...

ISO9001 Supplier

Class Certificate

Export Supply



Key Highlights

Category	Marine Fan/Blower
Standard	DIN
Material	Steel
Weight / Size	Small in size and light in weight .
Certificate	CCS, BV, ABS, GL, LR, DNV, NK,RINA, KR,IRS

We can supply according to your requirement, drawings, class certificate needs, and delivery schedule.

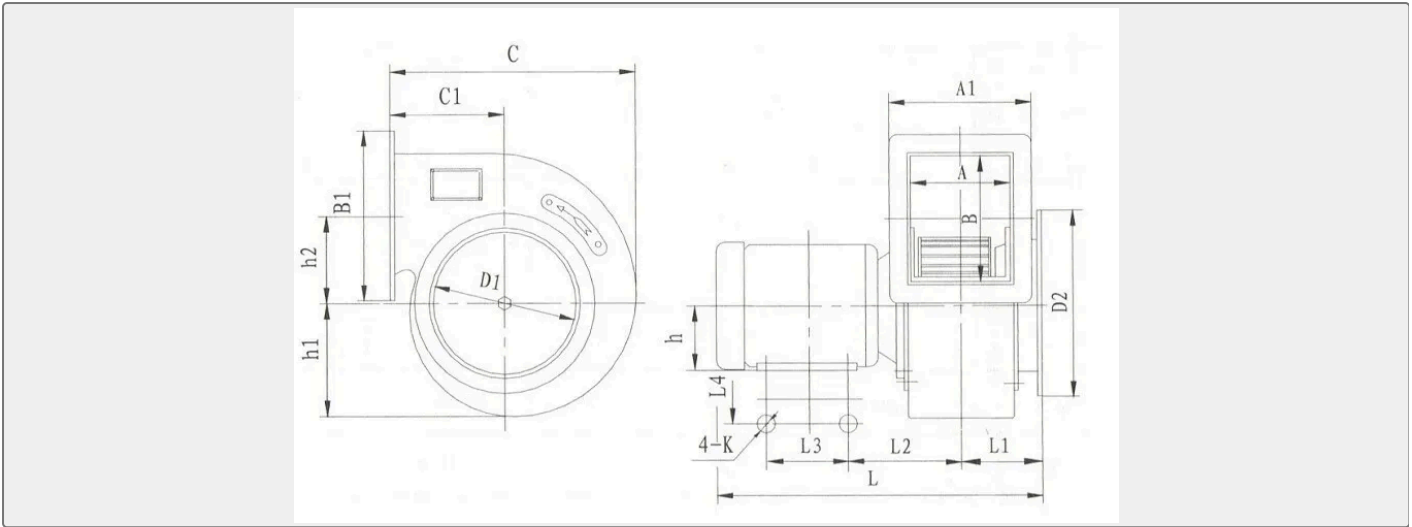
Technical Specifications

Category	Marine Fan/Blower	Model / SKU	CQ-Marine-Centrifugal-Fan
Standard	DIN	Material	Steel
Weight / Size	Small in size and light in weight .	Certificate	CCS, BV, ABS, GL, LR, DNV, NK,RINA, KR,IRS
Warranty	12 Months unless specified otherwise	Origin	China

CONTENTS

- General:
- Structure type:
- Characteristics:
- Main Parameter:





General:

CQ series marine centrifugal fan is capable of blowing air, such as ocean air containing salt vapor and corrosive air containing oil vapor and a small quantity of acid steam which generated by the natural evaporation of the batteries. So it can be widely used for ventilation of various cabin rooms and the boiler, they are also applicable in other places that suit.

The fan is designed and manufactured according to the standard of GB11865 《Marine Centrifugal Fan》 and 《The manufacture Rules of Sea-going Steel Ships》 which approved by the Register of the People's Republic of China.

Characteristics:

Small in size and light in weight . Low noise and low vibration .

Good anti-corrosiveness. Good air tightness

Small starting torque. Strongly performance of resisting swing, vibration and shocking

Structure type:

The fan is designed and manufactured into a horizontal structure type, also can be a vertical one. The impellers are riveted directly on the motor shaft extension. The impellers is made of aluminum alloy and carefully balanced in static and dynamic ways.

Both the casing and the air inlet are made of welded common steel.

The fan can be made for anticlockwise rotation (turn left) or Clockwise rotation (turn right):

The fan can be matched with marine AC motor 380V/50Hz or marine DC motor 220V.

Main Parameter:

Type	flow rate (m ³ /h)	total pressure (Pa)	Shaft Power (KW)	Speed (r/min)	Motor (AC)	
					Model	Power(kw)
CQ1-J	400	290	0.07	2900	Y711-2-H	0.12
CQ 2-J	500	590	0.15	2900	Y711-2-H	0.37
CQ 3-J	800	590	0.24	2900	Y711-2-H	0.37



CQ 4-J	1800	590	0.53	2900	Y801-2-H	0.75
CQ 5-J	2500	590	0.68	1450	Y90S-4-H	1.1
CQ 6-J	3500	590	0.96	1450	Y90L-4-H	1.5
CQ 7-J	6000	590	1.64	1450	Y100L1-4-H	2.2
CQ 8-J	8000	590	2.18	960	Y132S-6-H	3
CQ 9-J	10000	590	2.65	960	Y132M1-6-H	4
CQ 10-J	900	1180	0.54	2900	Y801-2-H	0.75
CQ 11-J	1500	1180	0.76	2900	Y802-2-H	1.1
CQ 12-J	2200	1180	0.96	2900	Y90S-2-H	1.5
CQ 13-J	2800	1180	1.53	2900	Y90L-2-H	2.2
CQ 14-J	5000	1180	2.73	1450	Y112M-4-H	4
CQ 15-J	7500	1180	3.78	1450	Y132S-4-H	5.5
CQ 16-J	9000	1180	4.60	1450	Y132S-4-H	5.5
CQ 17-J	12000	1180	6.04	1450	Y132M-4-H	7.5
CQ 18-J	600	1960	0.55	2900	Y801-2-H	0.75
CQ 19-J	2000	1960	1.82	2900	Y90L-2-H	2.2
CQ 20-J	3500	1960	3.18	2900	Y112M-2-H	4
CQ 21-J	5000	1960	4.52	2900	Y132S1-2-H	5.5
CQ 22-J	9000	1960	7.00	1450	Y160M-4-H	11
CQ 23-J	800	4410	1.58	2900	Y90L-2-H	2.2
CQ 24-J	1000	1960	0.85	2900	Y802-2-H	1.1
CQ 25-J	12000	2450	13.4	2900	Y160-2-H	18.5