

# Jinbo Marine

Marine & Offshore Equipment Datasheet

PRODUCT DATASHEET

## STEEL WIRE ROPE

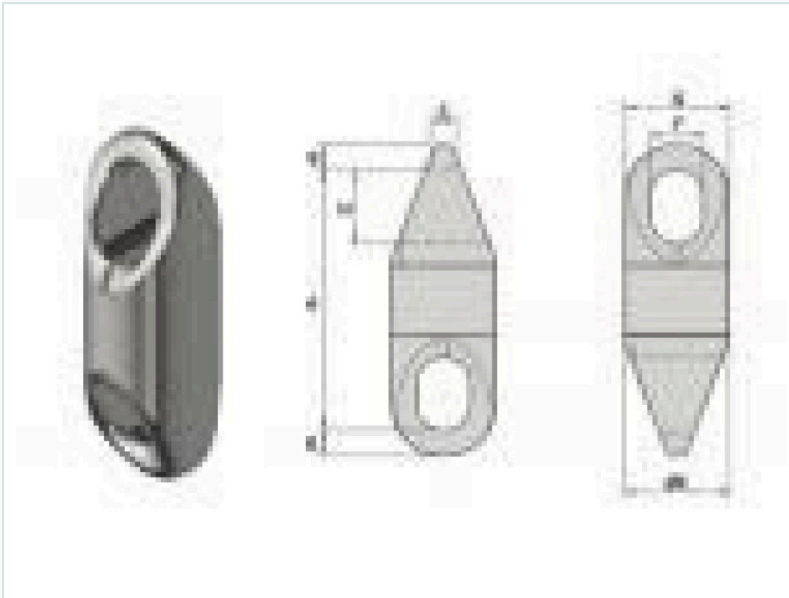
# CR Chain Rope Swivel

Chain Rope Swivel SW2 Material: Alloy Steel Quenched and Tempered Finish: Painting  
Certificate: Mill Certificate, DNV, ABS, LLOYDS

ISO9001 Supplier

Class Certificate

Export Supply



### Key Highlights

Category	Steel Wire Rope
Standard	EN
Material	Alloy Steel
Certificate	Mill Certificate, DNV, ABS, LLOYDS

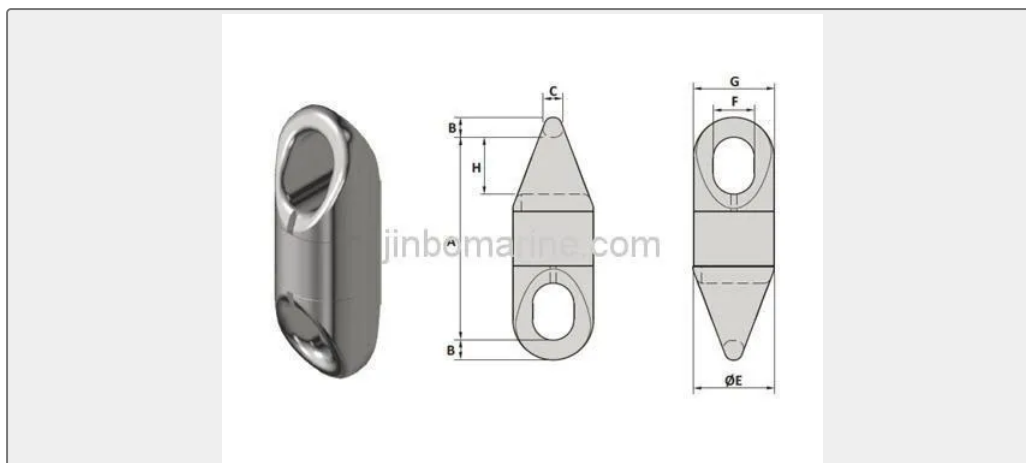
We can supply according to your requirement, drawings, class certificate needs, and delivery schedule.

### Technical Specifications

Category	Steel Wire Rope	Model / SKU	CR-Chain-Rope-Swivel
Standard	EN	Material	Alloy Steel
Surface	Alloy Steel Quenched and Tempered Finish:	Certificate	Mill Certificate, DNV, ABS, LLOYDS
Warranty	12 Months unless specified otherwise	Origin	China



## China CR Chain Rope Swivel:



### Chain Rope Swivel SW2

Material: Alloy Steel Quenched and Tempered

Finish: Painting

Certificate: Mill Certificate, DNV, ABS, LLOYDS