

Jinbo Marine

Marine & Offshore Equipment Datasheet

PRODUCT DATASHEET

SHIP QUICK CLOSING VALVE CONTROL BOX

CSKX control box for quick closing valves

ISO9001 Supplier

Class Certificate

Export Supply

Description: CSKX series control box for quick closing valve is a remote control plant, which is suitable for fuel oil tank, lubricating oil tank and daily supplying fuel oil tank of ship. Under the urgent condi...



Key Highlights

Category	Ship Quick Closing Valve Control Box
Standard	DIN
Material	Carbon Steel or Stainless Steel
Weight / Size	MPa Outline Dimension L×B×H mm Weight kg CSKX-40IV 40 4 0.7 0.7 850×370×... 130 CSKX-50V 50 5 850×370×900 150 CSKX-60VI 60 6 900×400×950 200 CSKX-70VII 70 7 950×450×980 230 CSKX-80VIII 80 8 950×450×1050 250 CSKX-100IX 100 10 1000×500×1050 265
Certificate	CCS, BV, ABS, GL , LR, NK

We can supply according to your requirement, drawings, class certificate needs, and delivery schedule.

Technical Specifications

Category	Ship Quick Closing Valve Control Box	Model / SKU	CSKX-control-box-for-quick-closing-valves
Standard	DIN	Material	Carbon Steel or Stainless Steel
Weight / Size	MPa Outline Dimension L×B×H mm Weight kg CSKX-40IV 40 4 0.7 0.7 850×370×850 130 CSKX-50V 50 5 850×370×900 150 CSKX-60VI 60 6 900×400×950 200 CSKX-70VII 70 7 950×450×980 230 CSKX-80VIII 80 8 950×450×1050 250 CSKX-100IX 100 10 1000×500×1050 265	Certificate	CCS, BV, ABS, GL , LR, NK
Warranty	12 Months unless specified otherwise	Origin	China



CONTENTS

- Description:
- Principle Description:
- System Principle Drawing :
- Technical Data:

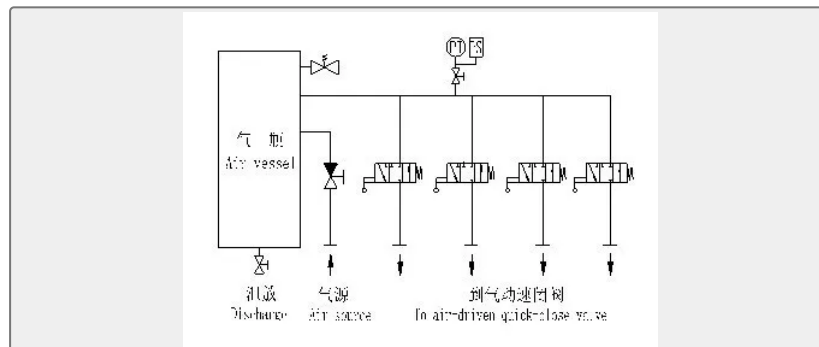
Description:

CSKX series control box for quick closing valve is a remote control plant, which is suitable for fuel oil tank, lubricating oil tank and daily supplying fuel oil tank of ship. Under the urgent condition of a fire, the product can shut off oil circuits and prevent the fire from spreading.

The control box is a Built-in installation form, so it installs convenient and have a long service life.

Principle Description:

The air source is input to the air vessel of control-box. And the air in the vessel is divided into several ways by distributor. In case of emergency, it can quickly open the two-position three channel valve; The piston of air-driven quick-acting valve on the oil transferring pipe will be closed by air. After a fire, the two-position three channel valve resumes its normal position. And the air-driven quick-acting valve automatically reset its seat

System Principle Drawing :**Technical Data:**

Type	Air Vessel Volume L	Control Way	Inlet Press. MPa	Outlet Press. MPa	Outline Dimension L×B×H mm	Weight kg
CSKX-40IV	40	4	0.7	0.7	850×370×850	130
CSKX-50V	50	5			850×370×900	150
CSKX-60VI	60	6			900×400×950	200
CSKX-70VII	70	7			950×450×980	230
CSKX-80VIII	80	8			950×450×1050	250
CSKX-100IX	100	10			1000×500×1050	265