

# Jinbo Marine

Marine &amp; Offshore Equipment Datasheet

PRODUCT DATASHEET

## LIFTING &amp; RIGGING

## Cslm 05

SIZE Amm Bmm Cmm Dmm M14 87 10 54 20

ISO9001 Supplier

Class Certificate

Export Supply



### Key Highlights

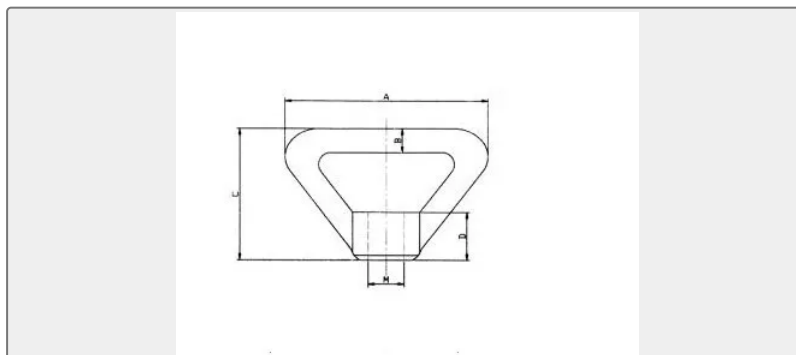
Category	Lifting & Rigging
Material	Stainless steel
Weight / Size	SIZE Amm Bmm Cmm Dmm M14 87 10 54 20
Certificate	ABS, LR, BV, DNVGL, NK, KR, IRS, RMRS, CCS

We can supply according to your requirement, drawings, class certificate needs, and delivery schedule.

### Technical Specifications

Category	Lifting & Rigging	Model / SKU	CSLM-05
Material	Stainless steel	Weight / Size	SIZE Amm Bmm Cmm Dmm M14 87 10 54 20
Certificate	ABS, LR, BV, DNVGL, NK, KR, IRS, RMRS, CCS	Warranty	12 Months unless specified otherwise
Origin	China		

### China Cslm 05:



SIZE	Amm	Bmm	Cmm	Dmm
M14	87	10	54	20