

# Jinbo Marine

Marine & Offshore Equipment Datasheet

PRODUCT DATASHEET

## MARINE FAN/BLOWER

# CSZ Marine Hydro Driven Axial Fan

General: CSZ series marine hydro-driven axial fan has the high explosion proof class, anti-corrosion, swing resistance, shock resistance. The structure is simple, compact. The weight is light, the operation is easy...

ISO9001 Supplier

Class Certificate

Export Supply



### Key Highlights

Category	Marine Fan/Blower
Standard	ISO
Material	Stainless Steel, Copper
Weight / Size	The weight is light, the operation is easy. Normally only one operator is...
Certificate	CCS, BV, ABS, GL, LR, DNV, NK, RINA, KR, IRS

We can supply according to your requirement, drawings, class certificate needs, and delivery schedule.

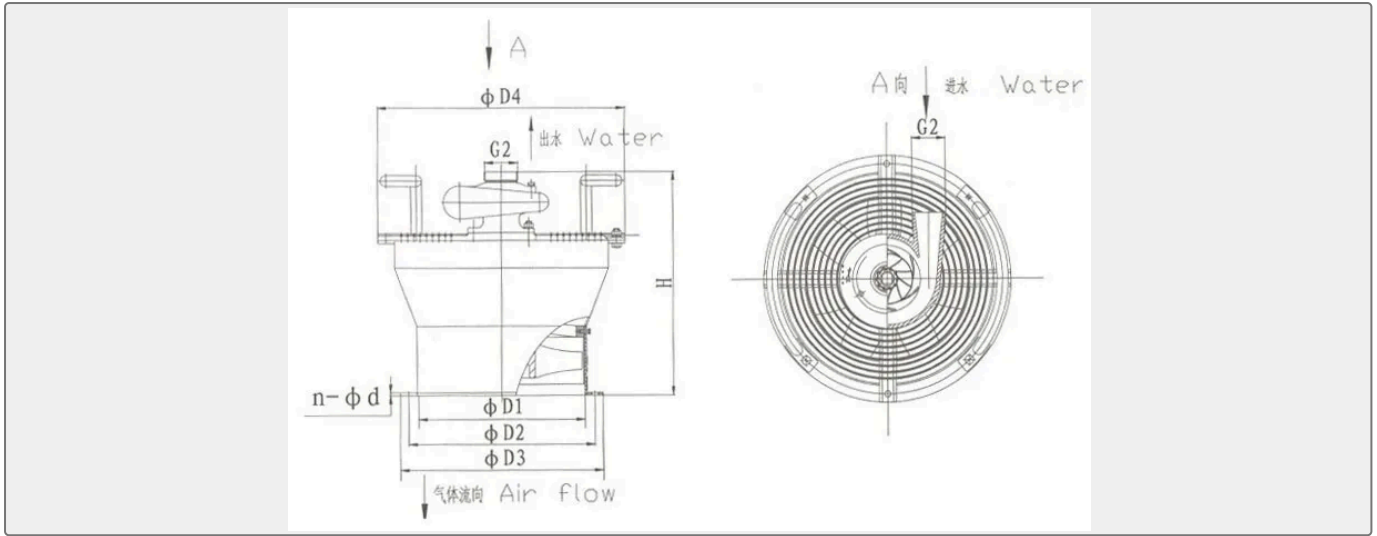
### Technical Specifications

Category	Marine Fan/Blower	Model / SKU	CSZ-Marine-Hydro-Driven-Axial-Fan
Standard	ISO	Material	Stainless Steel, Copper
Weight / Size	The weight is light, the operation is easy. Normally only one operator is required.	Certificate	CCS, BV, ABS, GL, LR, DNV, NK, RINA, KR, IRS
Warranty	12 Months unless specified otherwise	Origin	China

#### CONTENTS

- General:
- Applicable Conditions:
- Structure:
- Main Parameter:





### General:

CSZ series marine hydro-driven axial fan has the high explosion proof class, anti-corrosion, swing resistance, shock resistance. The structure is simple, compact. The weight is light, the operation is easy. Normally only one operator is required. It is directly driven by the fire fighting water, no need for other power equipment. It can deliver the flammable and explosive gas, steam and other dangerous & poisonous gas.

### Structure:

The fan is composed of water turbine, casing, frame, rotor and impellers. The water turbine is casted by anti-corrosive copper alloy, the casing is welded by the stainless steel. The water turbine and the rotor adopt two grades of sealing, mechanical seal and packing seal. A safe brass ring fitted between the casing and the impellers, so that it is without spark structure..

CSZ fan serve as supply fan or exhaust fan, but they can not displace the function.

### Applicable Conditions:

The places where there are explosive grad IIB & IIC and group from T4 to T6.

Ambient temperature: -25 centigrade degree to 55 centigrade degree

Relative humidity of the air: not over 95%

Cyclical vacillation: +/-22.5 degree

Sustained horizontal tilting: +/-15 degree

Sustained vertical tilting: +/-10 degree

### Main Parameter:

Model	Flow rate	Static pressure	Water pressure	Water consumption	D1	D2	D3	D4	H	n-d	Weight
	m3/h	Pa	Mpa	m3/h							kgs
CSZ-300	3000-6000	260-820	0.2-0.5	25-43	300	336	366	446	404	8-D11	30.5



CSZ-380	4000-10000	380-1020	0.2-0.5	28-53	380	416	446	546	546	8-D11	35
---------	------------	----------	---------	-------	-----	-----	-----	-----	-----	-------	----

