

MEDIUM PRESSURE WATER COOLED MARINE AIR COMPRESSOR

CW-50/30F Middle Pressure Air Cooling Belt Marine Air Compressor

ISO9001 Supplier

Class Certificate

Export Supply

Description: 1. Air-cooled unit, the compressor head is W-shaped distribution, small volume, low noise, 2. Automatic control, automatic start and stop of high and low pressure, automatic discharge of sew...



Key Highlights

Category	Medium Pressure Water Cooled Marine Air Compressor
Standard	EN
Weight / Size	Model Volume flow m3/min Exhaust pressure MPa Power kW Frequency HZ Rate...
Certificate	ABS, LR, BV, DNVGL, NK, KR, IRS, RMRS, CCS

We can supply according to your requirement, drawings, class certificate needs, and delivery schedule.

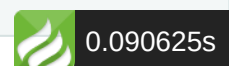
Technical Specifications

Category	Medium Pressure Water Cooled Marine Air Compressor	Model / SKU	CW-50-30F-Middle-Pressure-Air-Cooling-Belt-Marine-Air-Compressor
Standard	EN	Weight / Size	Model Volume flow m3/min Exhaust pressure MPa Power kW Frequency HZ Rated speed r/min Weight kg L x W x H mm 1 CW-50/30F 50 3 15 50/60 720 450 1320x750x860 2 CW-60/30F 60 3 15 50/60 850 450 1320x750x860
Certificate	ABS, LR, BV, DNVGL, NK, KR, IRS, RMRS, CCS	Warranty	12 Months unless specified otherwise
Origin	China		

CONTENTS

■ Description:

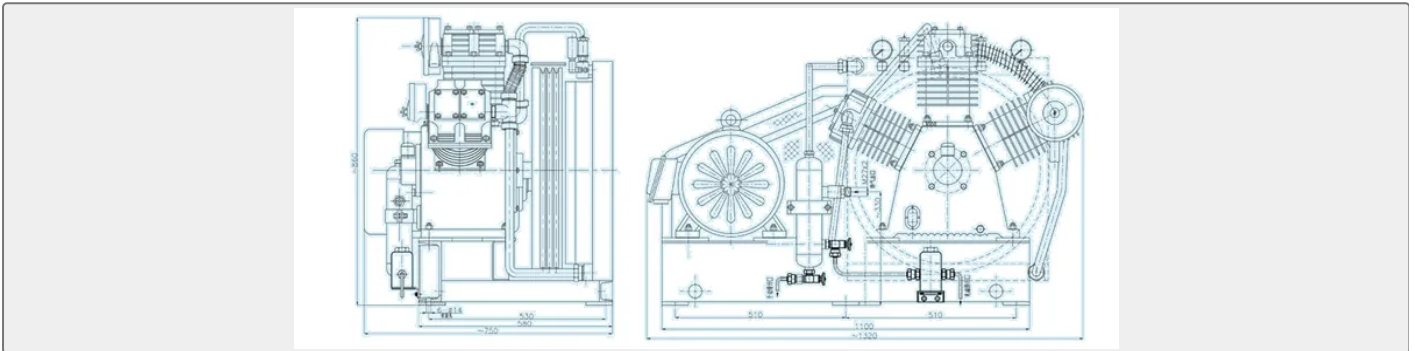
■ Technical data:



Description:

1. Air-cooled unit, the compressor head is W-shaped distribution, small volume, low noise,
2. Automatic control, automatic start and stop of high and low pressure, automatic discharge of sewage;
3. Provide the certification of classification society
4. Through air cooling, the cooling effect is good, and the work is stable and reliable.
5. Stable exhaust pressure, low maintenance cost and long service life.
6. Main air compressor for ships
7. The operation is simple, just read the manual to operate.

Technical data:



No	Model	Volume flow m ³ /min	Exhaust pressure MPa	Power kW	Frequency HZ	Rated speed r/min	Weight kg	L x W x H mm
1	CW-50/30F	50	3	15	50/60	720	450	1320x750x860
2	CW-60/30F	60	3	15	50/60	850	450	1320x750x860