

MEDIUM PRESSURE AIR COOLED MARINE AIR COMPRESSOR

Piston Type Medium Pressure Marine Air Compressor CWF-40/30

ISO9001 Supplier

Class Certificate

Export Supply

The common base is equipped with an air water separator, a pressure controller, and a battery discharge valve. It can be equipped with temperature control device, shock absorber outlet and exhaust hose. The...



CWF-40/30Belt Unit

Key Highlights

Category	Medium Pressure Air Cooled Marine Air Compressor
Standard	DIN
Weight / Size	Drawing Main Specification Model Type Displacement capacity Specified Pr...
Certificate	ABS, LR, BV, DNVGL, NK, KR, IRS, RMRS, CCS

We can supply according to your requirement, drawings, class certificate needs, and delivery schedule.

Technical Specifications

Category	Medium Pressure Air Cooled Marine Air Compressor	Model / SKU	CWF-40-30-Piston-Type-Medium-Pressure-Marine-Air-Compressor
Standard	DIN	Weight / Size	Drawing Main Specification Model Type Displacement capacity Specified Pressure Rotating Speed Motor Power Weight Overall (L*W*H) Transmission mode m3/h Mpa r/min KW Kg mm Belt drive or direct drive CWF-40/30 Air-cooled two stage compression piston type 40 3.0 500 7.5 250 1340*620*800
Certificate	ABS, LR, BV, DNVGL, NK, KR, IRS, RMRS, CCS	Warranty	12 Months unless specified otherwise
Origin	China		



CONTENTS

- China Piston Type Medium Pressure Marine Air Compressor CWF-40/30:
- Main Specification
- Drawing

China Piston Type Medium Pressure Marine Air Compressor CWF-40/30:

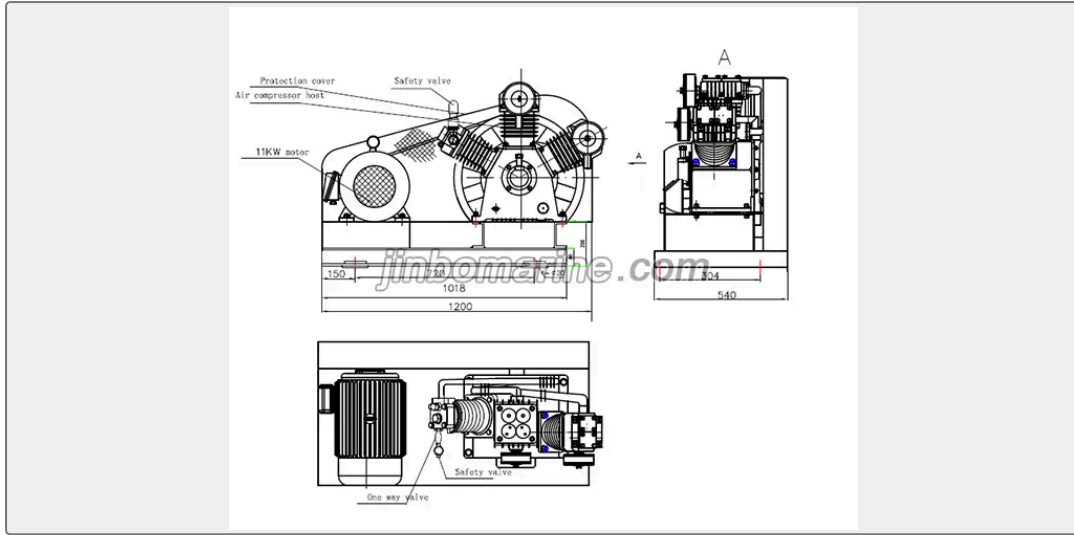
The common base is equipped with an air water separator, a pressure controller, and a battery discharge valve.

It can be equipped with temperature control device, shock absorber outlet and exhaust hose.

The fully controlled unit is equipped with wall hanging electronic control box, which can realize automatic unloading, automatic start, automatic stop, overload of motor, automatic alarm, high temperature and stop function.



Drawing



Main Specification

Model	Type	Displacement capacity	Specified Pressure	Rotating Speed	Motor Power	Weight	Overall (L*W*H)	Transmission mode
		m3/h	Mpa	r/min	KW	Kg	mm	Belt drive or direct drive
CWF-40/30	Air-cooled two stage compression piston type	40	3.0	500	7.5	250	1340*620*800	

