

Jinbo Marine

Marine & Offshore Equipment Datasheet

PRODUCT DATASHEET

MARINE FAN/BLOWER

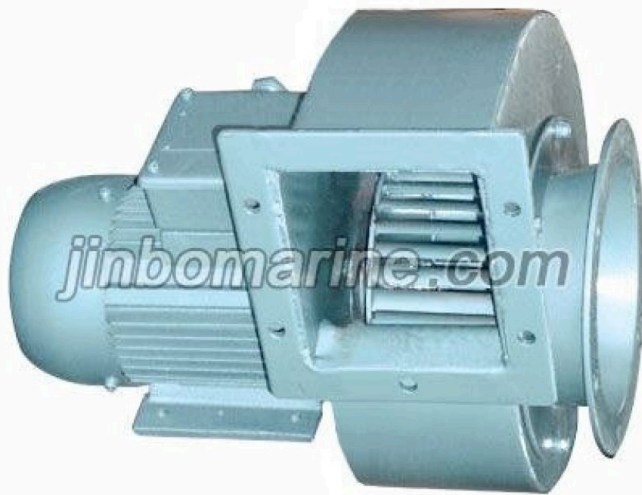
CWL Marine Small Size Centrifugal Fan

Application: CWL (CXL) series small marine centrifugal fan is capable of blowing air, ocean air containing salt vapour, and corrosive air which contains oil vapour. It can be used for ventilation of kitchen,t...

ISO9001 Supplier

Class Certificate

Export Supply



Key Highlights

Category	Marine Fan/Blower
Standard	EN
Material	Steel
Weight / Size	Light in weight, small in size, reliable in operation, low noise.
Certificate	CCS, BV, ABS, GL, LR, DNV, NK,RINA, KR,IRS

We can supply according to your requirement, drawings, class certificate needs, and delivery schedule.

Technical Specifications

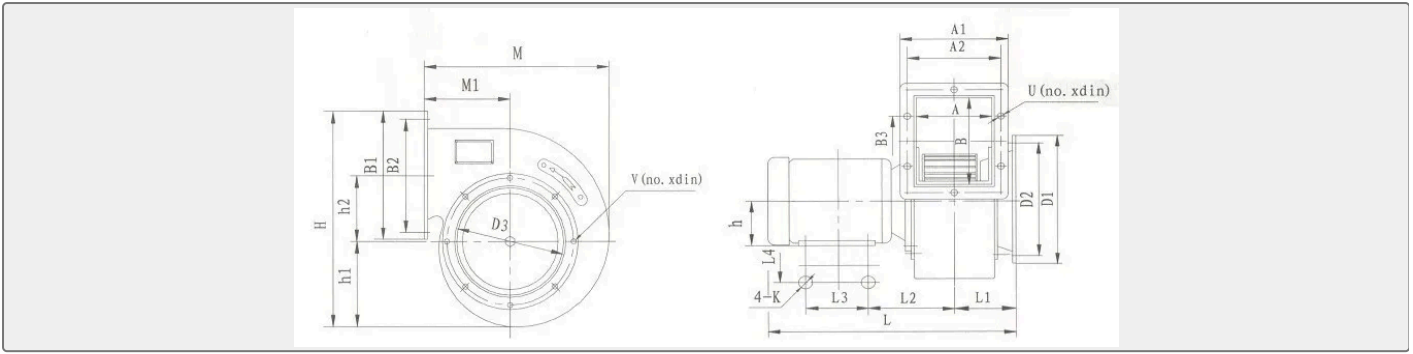
Category	Marine Fan/Blower	Model / SKU	CWL-Marine-Small-Size-Centrifugal-Fan
Standard	EN	Material	Steel
Weight / Size	Light in weight, small in size, reliable in operation, low noise.	Certificate	CCS, BV, ABS, GL, LR, DNV, NK,RINA, KR,IRS
Warranty	12 Months unless specified otherwise	Origin	China

CONTENTS

- Application:
- Working Principle and Structure Type:
- Characteristics:
- Main Parameter:



0.042465s



Application:

CWL (CXL) series small marine centrifugal fan is capable of blowing air, ocean air containing salt vapour, and corrosive air which contains oil vapour.

It can be used for ventilation of kitchen, toilet, bulkhead, meeting room and other cabins, as well as other suitable place in the field of chemistry and industry, metallurgy on land.

This fan with explosion proof motor can deliver gas mixtures or vapour containing combustibles and explosives, can work normally in the dangerous field.

CWL (CXL) series fan is fitted with marine three phase tiny asynchronous motor. The power can be 380/220V, 50/60Hz.

Characterstics:

1. High parameter of pressure ($H > 1.4$), high parameter of Capacities ($Q > 0.5$), high efficiency ($\eta > 65$).
2. Light in weight, small in size, reliable in operation, low noise.
3. Performance parameter is various and application is wide.
4. High strength, good anticorrosion.
5. Strong resistance against swing, vibration and impact.

Working Principle and Structure Type:

CWL (CXL) series marine small centrifugal fan is a kind of high efficiently fans. They are equipped with marine three-phase tiny asynchronous motor. The impellers of fan are consisting of strong forward poly blades. The air enter the blade-passage from axial direction and produce energy by the centrifugal force, it is compressed and enter the pipeline from radial direction.

It is horizontal structure type, the impellers are mounted directly on the motor shaft.

The impellers are rivet jointed structure and the casing and entrance are welded. The impellers must be corrected by static and dynamic balance.

The fan can be made for left or right rotation.

Main Parameter:

Model	Flow rate(m3/h)	Total Pressure(Pa)	Static pressure(Pa)	Speed (r/min)	Motor		
					Freq(Hz)	Power (Kw)	Model
CWL-100D	110	90	67	1400	50	0.06	Y561-4-H
	135	133	99	1700	60	0.09	0.042465s

CWL-100G	220	360	268	2800	50	0.09	Y561-2-H
	270	532	396	3400	60	0.09	
CWL-110D	150	110	80	1400	50	0.06	Y561-4-H
	185	162	115	1700	60	0.06	
CWL-110G	300	440	320	2800	50	0.12	Y562-2-H
	370	648	472	3400	60	0.12	
CWL-125D	220	140	102	1400	50	0.06	Y561-4-H
	270	206	150	1700	60	0.06	
CWL-125G	440	560	408	2800	50	0.18	Y631-2-H
	540	824	600	3400	60	0.18	
CWL-140D	300	180	135	1400	50	0.06	Y561-4-H
	365	265	199	1700	60	0.06	
CWL-140G	600	720	540	2800	50	0.25	Y632-2-H
	730	1060	796	3400	60	0.37	Y711-2-H
CWL-160D	450	230	170	1400	50	0.12	Y631-4-H
	550	339	251	1700	60	0.12	
CWL-160G	900	920	680	2800	50	0.37	Y711-2-H
	1100	1366	1004	3400	60	0.75	Y801-2-H
CWL-180D	640	290	217	1400	50	0.37	Y712-4-H
	780	428	320	1700	60	0.37	
CWL-180G	1280	1160	868	2800	50	0.75	Y801-2-H
	1600	1812	1356	3500	60	1.5	Y90S-2-H
CWL-200D	900	375	276	1400	50	0.55	Y801-4-H
	1080	553	407	1700	60	0.55	
CWL-200G	1880	1631	1201	2920	50	1.5	Y90S-2-H
	2250	2343	1752	3500	60	2.2	Y90S-2-H