

CENTRIFUGAL PUMP

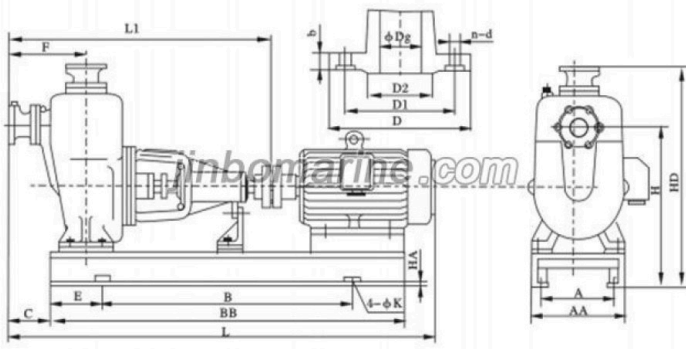
CWZ series horizontal centrifugal self-priming marine pumps

ISO9001 Supplier

Class Certificate

Export Supply

CWZ series horizontal centrifugal self-priming marine pumps are well fixed and beautifully shaped and have high self-priming fuction.It can also be installed and used easily, which are best choices for the ships to drain...



Key Highlights

Category	Centrifugal Pump
Standard	EN
Certificate	ABS, LR, BV, DNVGL, NK, KR, IRS, RMRS, CCS

We can supply according to your requirement, drawings, class certificate needs, and delivery schedule.

Technical Specifications

Category	Centrifugal Pump	Model / SKU	CWZ-series-horizontal-centrifugal-self-priming-marine-pumps
Standard	EN	Certificate	ABS, LR, BV, DNVGL, NK, KR, IRS, RMRS, CCS
Warranty	12 Months unless specified otherwise	Origin	China

China CWZ series horizontal centrifugal self-priming marine pumps:

CWZ series horizontal centrifugal self-priming marine pumps are well fixed and beautifully shaped and have high self-priming fuction.It can also be installed and used easily, which are best choices for the ships to drain water. CWZ series horizontal centrifugal self-priming marine pumps are well used in all kinds of ships and warships for ballast, fire control, life water supply on the bilge. It can be used to pump sea water and fresh water, but the mediums temperature should be lower than 80°C.

Main Technical Data



MODEL	CAPACITY	HEAD	RPM	power
	m ³ /h	m		kw
50CWZ-8	21	21	2870	3
50CWZ-6		30	2890	4
50CWZ-5		42	2900	5.5
65CWZ-11	36	21	2890	4
65CWZ-8		30	2900	5.5
65CWZ-6		42	2930	11
65CWZ-5		60	2930	15
80CWZ-14	60	21	2900	7.5
80CWZ-11		30	2930	11
80CWZ-8		42	2930	15
80CWZ-6		60	2940	22
80CWZ-5.5		75	2950	30
100CWZ-18	100	21	2930	11
100CWZ-14		30	2930	15
100CWZ-11		42	2940	22
100CWZ-8		60	2950	30
100CWZ-6		85	2970	45

