

Jinbo Marine

Marine & Offshore Equipment Datasheet

PRODUCT DATASHEET

MARINE FAN/BLOWER

CZ Marine Axial Fan/Blower

General: CZ series marine axial fan (also called as JCZ marine axial fan) is capable of blowing air, ocean air with salt vapor, and corrosive air which contains a small quantity of oil vapor. They are suitable fo...

ISO9001 Supplier

Class Certificate

Export Supply



Key Highlights

Category	Marine Fan/Blower
Standard	DIN
Material	Steel, Aluminum
Weight / Size	Model Folw rate (m3/h) Total pressure(Pa) Static pressure(Pa) speed (r/m...
Certificate	CCS, BV, ABS, GL, LR, DNV, NK,RINA, KR,IRS

We can supply according to your requirement, drawings, class certificate needs, and delivery schedule.



Technical Specifications

Category	Marine Fan/Blower	Model / SKU	CZ-Marine-Axial-Fan-Blower
Standard	DIN	Material	Steel, Aluminum



Weight / Size

Model Folw rate (m3/h) Total
 pressure(Pa) Static pressure(Pa)
 speed (r/min) Motor Weight(kgs)
 Freq Hz Power kw CZ-20 600 110
 90 2920 50 0.25 18 800 85 55 800
 160 130 3500 60 0.55 20 1000
 110 80 CZ-25 800 160 140 2920
 50 26 1200 140 110 1400 120 90
 1000 220 200 3500 60 1500 200
 160 1700 180 130 CZ-30A 1200
 300 245 2920 50 0.75 35 1800
 195 145 1400 440 350 3500 60
 2100 280 215 CZ-30B 1000 295
 235 2920 50 1200 235 145 1200
 420 330 3500 60 1400 330 215
 CZ-35A 3000 440 390 2920 50 1.1
 40 4500 250 150 3600 635 555
 3500 60 5400 350 215 CZ-35B
 1800 410 360 2920 50 3000 260
 195 1200 160 150 1750 60 0.55
 4500 290 200 3500 50 1.1 CZ-40A
 4500 585 520 2920 60 1.5 65
 6000 500 390 3000 180 150 1750
 50 0.55 5400 840 745 3500 2.2
 7200 715 560 CZ-40B 3000 520
 490 2920 50 1.5 4500 390 330
 3600 745 705 3500 60 2.2 5400
 560 480 CZ-50A 6000 215 175
 1460 50 1.1 78 7200 310 255
 1750 60 1.5 CZ-50B 6000 685 625
 2920 50 3 86 9000 585 490 7200
 990 900 3500 60 4 90 10000 840
 705 CZ-50C 9000 785 685 2920
 50 4 100 12000 615 490 10000
 1125 990 3500 60 5.5 130 14000
 890 705 CZ-60 9000 295 235
 1460 50 1.5 100 12000 235 145
 10000 420 330 1750 60 2.2 14000
 330 215 CZ-70A 12000 450 390
 1460 50 3 145 15000 370 295
 18000 290 200 14000 645 560
 1750 60 5.5 165 18000 540 420
 21000 450 295 CZ-70B 9000 420
 390 1460 50 2.2 170 12000 295
 245 15000 225 145 10000 605
 560 1750 60 3 180 14000 420 350
 18000 325 215 CZ-75 15000 540
 490 1460 50 4 165 18000 470 390
 21000 340 235 24000 295 155
 18000 775 705 1750 60 7.5 190
 21000 675 560 25000 490 330
 28000 420 225 CZ-80A 21000 665

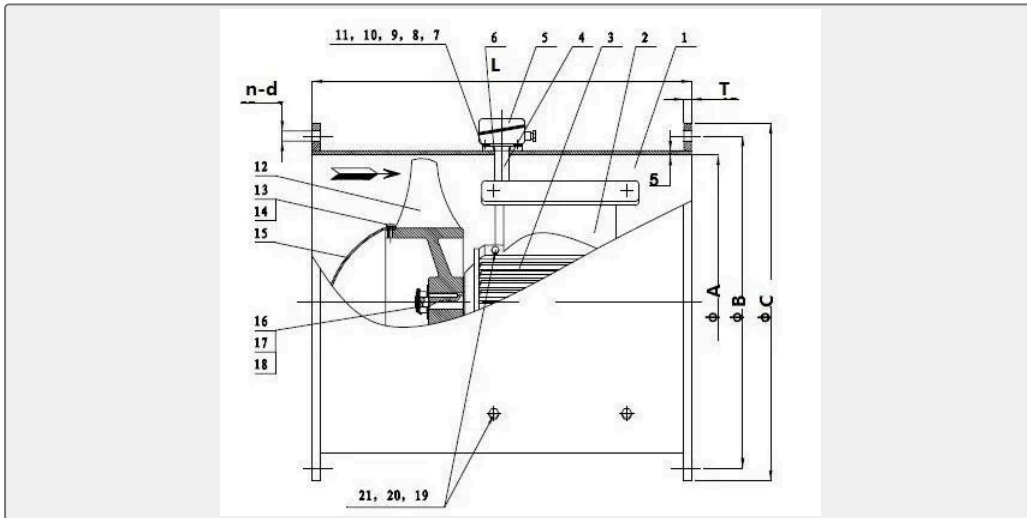
Certificate

CCS, BV, ABS, GL, LR, DNV,
 NK,RINA, KR,IRS

585 1460 50 7.5 210 24000 595
490 27000 530 390 30000 390
225 25000 960 840 1750 60 11
258 28000 860 705 32000 765
560 36000 560 320 CZ-80B 18000
550 490 1460 50 5.5 200 21000
470 390 24000 400 295 27000
300 165 21000 785 705 1750 60
7.5 235 25000 675 560 28000 575
420 32000 440 235 CZ-90A 24000
705 635 1460 50 7.5 260 27000
570 490 30000 490 390 33000
350 225 28000 1010 910 1750 60
11 310 32000 815 705 36000 705
560 40000 510 325 CZ-90B 27000
765 685 1460 50 11 300 30000
685 585 33000 615 490 36000
540 390 32000 1100 900 1750 60
15 310 36000 990 840 40000 890
705 48000 775 560 CZ-90C 30000
880 785 1460 50 15 331 33000
815 685 36000 685 540 36000
1265 1125 1750 60 18.5 385
39000 1165 980 43000 980 775
CZ-100A 42000 725 585 1460 50
15 335 48000 665 490 54000 605
390 50000 1040 840 1750 60 22
444 57000 960 705 60000 870
560 CZ-100B 36000 880 785 1460
50 15 340 39000 735 635 43000
1265 1125 1750 60 22 444 46000
1060 910 CZ-100C 39000 585 490
1460 50 11 322 42000 530 390
48000 470 295 46000 840 705
1750 60 15 340 50000 765 560
57000 675 420 CZ-100D 36000
340 245 970 50 7.5 322 39000
295 195 43000 490 350 1160 60
11 340 46000 420 285 JCZ-110A
42000 580 490 970 50 15 540
48000 510 390 54000 470 315
60000 390 215 50000 830 705
1160 60 18.5 545 57000 735 560
65000 675 450 72000 560 315
JCZ-110B 42000 340 235 970 50
7.5 321 48000 295 145 50000 490
330 1160 60 11 445 57000 420
205 CZ-110C 42000 870 785 1460
50 18.5 500 48000 805 685 54000
735 585 50000 1255 1125 1750
60 30 580 57000 1155 990 65000
1060 840 CZ-120A 60000 420 295

	970 50 15 660 72000 340 155 72000 595 420 1160 60 18.5 665 86000 490 225 CZ-120B 60000 615 520 970 50 18.5 665 72000 575 390 84000 490 245 72000 890 745 1160 60 30 805 86000 830 560 100000 705 350 CZ-140A 72000 685 585 970 50 22 895 84000 585 490 96000 490 340 86000 980 840 1160 60 30 1013 100000 840 705 115000 705 490 CZ-140B 96000 490 340 970 50 22 895 115000 390 245 115000 705 490 1160 60 30 1013 138000 560 350		
Warranty	12 Months unless specified otherwise	Origin	China

CONTENTS	■ General:	■ Features:
	■ Structure:	■ Main Parts:
	■ Main Parameter:	



General:

CZ series marine axial fan (also called as JCZ marine axial fan) is capable of blowing air, ocean air with salt vapor, and corrosive air which contains a small quantity of oil vapor. They are suitable for the ventilation of the cabin air ventilation as well as boiler ventilation, also applicable for other suitable places. The fan is designed and manufactured according to GB11864-1990 Marine Axial Fan and the current Ship Building Norms.

Features:

- 1.The casing can be opened.
- 2. Reverse Rotation is allowed
- 3. Good anti-corrosiveness



4.Strong resistance against swing, vibration & impact.

Structure:

The fan is manufactured with a built-in motor structure. The impeller is directly mounted on the motor shaft. The impeller is made of anti-corrosive aluminum alloy while the casing is welded by common steel. The casing can either be made into an integral one or an open type and the motor is fixed on the movable half of the casing so as to bring convenience for on-site repair and the replacement of its spare parts. The fan can be matched with marine AC motor of 230V, 440V, 380v, 415v, 480v. The frequency can be 50Hz or 60Hz

Main Parts:

1-Casing: Carbon Steel

2-Angle strut

3-Motor

5-Terminal Box

12-Impeller: Aluminum Alloy

15-Guide Cowl: Carbon Steel

Main Parameter:

Model	Folw rate (m3/h)	Total pressure(Pa)	Static pressure(Pa)	speed (r/min)	Motor		Weight(kgs)
					Freq Hz	Power kw	
CZ-20	600	110	90	2920	50	0.25	18
	800	85	55				
	800	160	130	3500	60	0.55	
	1000	110	80				
CZ-25	800	160	140	2920	50	0.55	26
	1200	140	110				
	1400	120	90				
	1000	220	200	3500	60		
	1500	200	160				
	1700	180	130				

CZ-30A	1200	300	245	2920	50	0.75	35	
	1800	195	145					
	1400	440	350	3500	60			
	2100	280	215					
CZ-30B	1000	295	235	2920	50	1.1	40	
	1200	235	145					
	1200	420	330	3500	60			
	1400	330	215					
CZ-35A	3000	440	390	2920	50	1.1	40	
	4500	250	150					
	3600	635	555	3500	60			
	5400	350	215					
CZ-35B	1800	410	360	2920	50	0.55	65	
	3000	260	195					
	1200	160	150	1750	60			
	4500	290	200	3500	50			1.1
CZ-40A	4500	585	520	2920	60	1.5	65	
	6000	500	390					
	3000	180	150	1750	50			0.55
	5400	840	745	3500				2.2
	7200	715	560					
CZ-40B	3000	520	490	2920	50	1.5	78	
	4500	390	330					
	3600	745	705	3500	60			2.2
	5400	560	480					
CZ-50A	6000	215	175	1460	50	1.1	78	
	7200	310	255	1750	60	1.5		
CZ-50B	6000	685	625	2920	50	3	86	
	9000	585	490					
	7200	990	900	3500	60	4	90	
	10000	840	705					

CZ-50C	9000	785	685	2920	50	4	100
	12000	615	490				
	10000	1125	990	3500	60	5.5	130
	14000	890	705				
CZ-60	9000	295	235	1460	50	1.5	100
	12000	235	145				
	10000	420	330	1750	60	2.2	
	14000	330	215				
CZ-70A	12000	450	390	1460	50	3	145
	15000	370	295				
	18000	290	200				
	14000	645	560	1750	60	5.5	165
	18000	540	420				
	21000	450	295				
CZ-70B	9000	420	390	1460	50	2.2	170
	12000	295	245				
	15000	225	145				
	10000	605	560	1750	60	3	180
	14000	420	350				
	18000	325	215				
CZ-75	15000	540	490	1460	50	4	165
	18000	470	390				
	21000	340	235				
	24000	295	155				
	18000	775	705	1750	60	7.5	190
	21000	675	560				
	25000	490	330				
	28000	420	225				

CZ-80A	21000	665	585	1460	50	7.5	210
	24000	595	490				
	27000	530	390				
	30000	390	225				
	25000	960	840	1750	60	11	258
	28000	860	705				
	32000	765	560				
	36000	560	320				
CZ-80B	18000	550	490	1460	50	5.5	200
	21000	470	390				
	24000	400	295				
	27000	300	165				
	21000	785	705	1750	60	7.5	235
	25000	675	560				
	28000	575	420				
	32000	440	235				
CZ-90A	24000	705	635	1460	50	7.5	260
	27000	570	490				
	30000	490	390				
	33000	350	225				
	28000	1010	910	1750	60	11	310
	32000	815	705				
	36000	705	560				
	40000	510	325				
CZ-90B	27000	765	685	1460	50	11	300
	30000	685	585				
	33000	615	490				
	36000	540	390				
	32000	1100	900	1750	60	15	310
	36000	990	840				
	40000	890	705				
	48000	775	560				



CZ-90C	30000	880	785	1460	50	15	331
	33000	815	685				
	36000	685	540				
	36000	1265	1125	1750	60	18.5	385
	39000	1165	980				
	43000	980	775				
CZ-100A	42000	725	585	1460	50	15	335
	48000	665	490				
	54000	605	390				
	50000	1040	840	1750	60	22	444
	57000	960	705				
	60000	870	560				
CZ-100B	36000	880	785	1460	50	15	340
	39000	735	635				
	43000	1265	1125	1750	60	22	444
	46000	1060	910				
CZ-100C	39000	585	490	1460	50	11	322
	42000	530	390				
	48000	470	295				
	46000	840	705	1750	60	15	340
	50000	765	560				
	57000	675	420				
CZ-100D	36000	340	245	970	50	7.5	322
	39000	295	195				
	43000	490	350	1160	60	11	340
	46000	420	285				

JCZ-110A	42000	580	490	970	50	15	540
	48000	510	390				
	54000	470	315				
	60000	390	215				
	50000	830	705	1160	60	18.5	545
	57000	735	560				
	65000	675	450				
	72000	560	315				
JCZ-110B	42000	340	235	970	50	7.5	321
	48000	295	145				
	50000	490	330	1160	60	11	445
	57000	420	205				
CZ-110C	42000	870	785	1460	50	18.5	500
	48000	805	685				
	54000	735	585				
	50000	1255	1125	1750	60	30	580
	57000	1155	990				
	65000	1060	840				
CZ-120A	60000	420	295	970	50	15	660
	72000	340	155				
	72000	595	420	1160	60	18.5	665
	86000	490	225				
CZ-120B	60000	615	520	970	50	18.5	665
	72000	575	390				
	84000	490	245				
	72000	890	745	1160	60	30	805
	86000	830	560				
	100000	705	350				

CZ-140A	72000	685	585	970	50	22	895
	84000	585	490				
	96000	490	340				
	86000	980	840	1160	60	30	1013
	100000	840	705				
	115000	705	490				
CZ-140B	96000	490	340	970	50	22	895
	115000	390	245				
	115000	705	490	1160	60	30	1013
	138000	560	350				