

Jinbo Marine

Marine & Offshore Equipment Datasheet

PRODUCT DATASHEET

MEDIUM PRESSURE WATER COOLED MARINE AIR COMPRESSOR

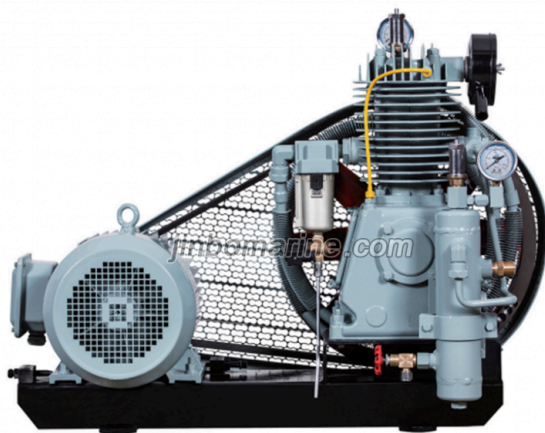
CZF-20.4/30-C Middle Pressure Air Cooling Direct Connect Marine Air Compressor

ISO9001 Supplier

Class Certificate

Export Supply

Description: 1. Air-cooled unit, the compressor head is vertically distributed, small volume, low noise, 2. Automatic control, automatic start and stop of high and low pressure, automatic discharge of sewage;...



Key Highlights

Category	Medium Pressure Water Cooled Marine Air Compressor
Standard	EN
Weight / Size	Model Volume flow m3/min Exhaust pressure MPa Power kW Frequency HZ Rate...
Certificate	ABS, LR, BV, DNVGL, NK, KR, IRS, RMRS, CCS

We can supply according to your requirement, drawings, class certificate needs, and delivery schedule.



Technical Specifications			
Category	Medium Pressure Water Cooled Marine Air Compressor	Model / SKU	CZF-20-4-30-C-Middle-Pressure-Air-Cooling-Direct-Connect-Marine-Air-Compressor
Standard	EN	Weight / Size	Model Volume flow m3/min Exhaust pressure MPa Power kW Frequency HZ Rated speed r/min Weight kg L x W x H mm 1 CZ-5/30F 5 3 2.2 50/60 550 170 950x485x700 2 CZ-10/30F 10 3 3 50/60 500 185 970x485x700 3 CZ-15/30F 15 3 4 50/60 750 195 970x485x700 4 CZ-20/30F 20 3 5.5 50/60 1000 210 970x485x720 5 CZF-20.4/30-C 20.4 3 5.3 50/60 600 230 970x470x780
Certificate	ABS, LR, BV, DNVGL, NK, KR, IRS, RMRS, CCS	Warranty	12 Months unless specified otherwise
Origin	China		

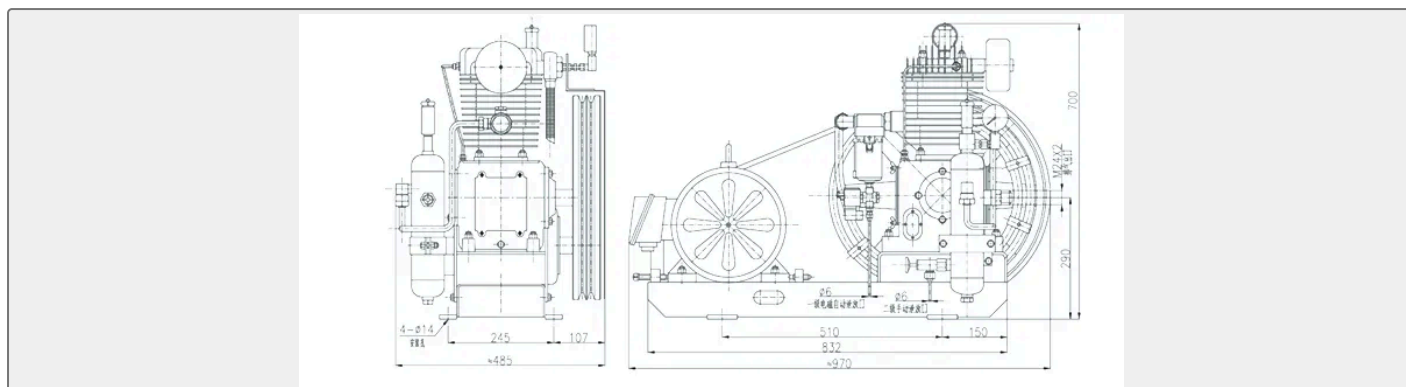
CONTENTS	<ul style="list-style-type: none"> ■ Description: ■ Technical data :
-----------------	--

Description:

1. Air-cooled unit, the compressor head is vertically distributed, small volume, low noise,
2. Automatic control, automatic start and stop of high and low pressure, automatic discharge of sewage;
3. Provide the certification of classification society
4. Through air cooling, the cooling effect is good, and the work is stable and reliable.
5. Stable exhaust pressure, low maintenance cost and long service life.
6. Main/auxiliary air compressor for ships
7. The operation is simple, just read the manual to operate.
8. Belt transmission drive
9. The oil-water separator can handle exhaust gas well
10. The high-end stable and reliable solenoid valve can accurately control the working conditions of the air compressor.



Technical data :



No	Model	Volume flow m ³ /min	Exhaust pressure MPa	Power kW	Frequency HZ	Rated speed r/min	Weight kg	L x W x H mm
1	CZ-5/30F	5	3	2.2	50/60	550	170	950x485x700
2	CZ-10/30F	10	3	3	50/60	500	185	970x485x700
3	CZ-15/30F	15	3	4	50/60	750	195	970x485x700
4	CZ-20/30F	20	3	5.5	50/60	1000	210	970x485x720
5	CZF-20.4/30-C	20.4	3	5.3	50/60	600	230	970x470x780