

Jinbo Marine

Marine & Offshore Equipment Datasheet

PRODUCT DATASHEET

SEWAGE PUMP

CZW Series Marine Self-priming Non-blocking Crushing Pump

CZW Series Marine Self-priming Non-blocking Crushing Pump General description CWZ series marine self priming non-blocking drainage pump, a self priming and non-blocking drainage in one with outer recirculat...

ISO9001 Supplier

Class Certificate

Export Supply



| Key Highlights | |
|--|---|
| Category | Sewage Pump |
| Standard | EN |
| Material | Cast iron pump cast, Bronze impeller, Stainless steel pump shaft |
| Weight / Size | Model explanation CZW 50-15-30 CZW-Marine self priming drainage pump 50-... |
| Certificate | CCS |
| We can supply according to your requirement, drawings, class certificate needs, and delivery schedule. | |



Technical Specifications

| | | | |
|-----------------|-------------|--------------------|--|
| Category | Sewage Pump | Model / SKU | CZW-Series-Marine-Self-priming-Non-blocking-Crushing-Pump |
| Standard | EN | Material | Cast iron pump cast, Bronze impeller, Stainless steel pump shaft |

Weight / Size

Model explanation CZW 50-15-30
 CZW-Marine self priming drainage
 pump 50-inlet diameter 50mm 15-
 Flow rate 15m3/h 30-Head30m
 Structural Specification
 Performance Parameter Type
 50hz/2900rpm 60hz/3500 50/60hz
 CZW Motor power Capacity Head
 Weight Motor power Capacity
 Head Efficiency (NPSH)r Suc'head
 suc'time inlet/outlet diam kw m3/h
 m kg kw m3/h m % m m min/5m
 mm 25-8-15 2.2 8 15 100 3 9.6
 21.6 45 2 5.5 3 25 32-5-20 2.2 5
 20 100 3 6 28.8 45 2.5 5.5 3 32
 32-10-20 2.2 10 20 100 3 12 28.8
 45 2.5 5.5 3 32 32-9-30 3 9 30 120
 4 10.8 43.2 48 2.5 5.5 3 32 40-10-
 20 2.2 10 20 100 3 12 28.8 45 2.5
 5.5 3 40/32 40-20-15 2.2 20 15
 100 3 24 21.6 45 2.5 5.5 3 40/32
 40-15-30 3 15 30 120 4 18 43.2 48
 2.5 5.5 3 40/32 50-10-20 2.2 10 20
 100 3 12 28.8 45 2.5 5.5 3 50/40
 50-20-12 2.2 20 12 100 3 24 17.3
 45 2.5 5.5 3 50/40 50-15-30 3 15
 30 120 5.5 18 43.2 48 2.5 5.5 3
 50/40 50-20-35 5.5 20 35 150 7.5
 24 50.4 48 2.5 5.5 3 50/40 65-25-
 30 5.5 25 30 200 11 30 43.2 50 3
 5.5 3 65 65-25-40 7.5 25 40 200
 15 30 57.6 50 3 5.5 2 65 80-65-25
 11 65 25 240 18.5 78 36 52 3 5.5
 2 80 80-25-40 7.5 25 40 200 15 30
 57.6 50 3 5.5 2 80 80-65-25 11 65
 25 240 18.5 78 36 52 3 5.5 2 80
 80-80-35 15 80 35 285 22 96 50.4
 45 3 5.5 3 80 Type 50hz/1450rpm
 60hz/1800 50/60hz CZW Motor
 power Capacity Head Weight
 Motor power Capacity Head
 Efficiency (NPSH)r Suc'head
 suc'time inlet/outlet diam kw m3/h
 m kg kw m3/h m % m m min/5m
 mm 65-30-18 4 30 18 200 5.5 36
 25.9 45 2.5 5.5 3 65 65-40-25 7.5
 40 25 200 11 48 36 50 3 5.5 2 65
 80-40-16 4 40 16 240 5.5 48 23 50
 3 5 3 80 80-40-25 7.5 40 25 200
 11 48 36 50 3 5.5 2 80 80-80-35
 15 80 354 450 22 96 50.4 50 3 5.5
 2 80 80-50-60 22 50 60 340 37 60

Certificate

CCS



| | | |
|-----------------|--|---------------------|
| | 86.4 55 3 5 3 80 100-100-15 7.5 100 15 300 15 120 21.6 50 4 5.5 3 100 100-80-20 7.5 80 20 300 15 96 28.8 53 4 5.5 3 100 100-100-20 11 100 20 340 18.5 120 28.8 53 4 5.5 3 100 100-100-30 22 100 30 510 37 120 43.2 53 4 5.5 2 100 125-120-20 15 120 20 500 22 144 28.8 55 4.5 5.5 2 125 150-180-14 15 180 14 500 22 216 20.1 60 5 5.5 3.5 150 150-180-20 22 180 20 570 37 216 28.8 60 5 5 3 125 150- 180-30 27 180 30 680 55 216 43.2 65 5 5 3 150 150-180-38 55 180 38 800 90 216 54.7 45 5 6 3.5 150 200-280-14 22 280 14 700 37 336 20.1 65 5 5 3 200 200-280-28 55 280 28 940 90 336 40.3 55 4.8 5.2 3 200 | |
| Warranty | 12 Months unless specified otherwise | Origin China |

| | | |
|-----------------|---|----------------------------|
| CONTENTS | ■ CZW Series Marine Self-priming Non-blocking Crushing Pump | ■ General description |
| | ■ Model explanation | ■ Structural Specification |
| | ■ Performance Parameter | |

CZW Series Marine Self-priming Non-blocking Crushing Pump

General description

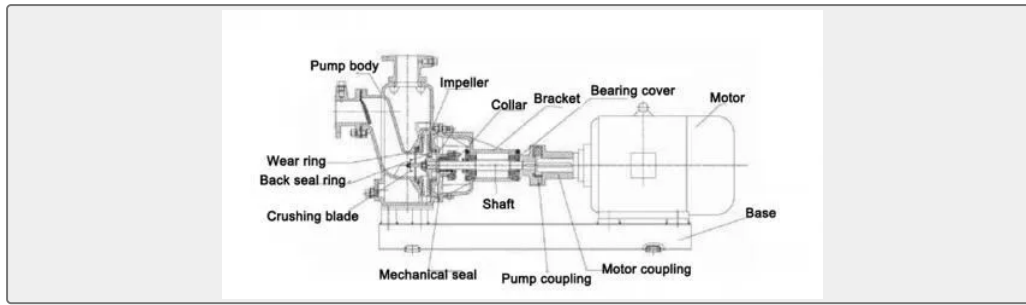
CWZ series marine self priming non-blocking drainage pump, a self priming and non-blocking drainage in one with outer recirculation and through the pump body,impeller's unique design can be like a common self-priming pumps that do not need to install the valve and irrigation watter, and the suction containing large particles of solid and long fiber impurity in liquid, and can be widely applied to the bilge drain, the ship drainage treatment, municipal drainage project, farming,light industry ,paper making,river textile,food,chemical,electrical,fiber,pulp and mixed suspension and other chemical medium in the most ideal impurity pump. It has the advantages of simple structure,good self priming performance,drainage capacity high efficiency and energy saving,convenient repair and maintenance characteristics,the drainage pump series products is the national initiative.

Model explanation

- CZW 50-15-30
- CZW-Marine self priming drainage pump
- 50-inlet diameter 50mm
- 15-Flow rate 15m3/h
- 30-Head30m



Structural Specification



Performance Parameter

| Type | 50hz/2900rpm | | | | 60hz/3500 | | | 50/60hz | | | | |
|----------|--------------|----------|------|--------|-------------|----------|------|------------|---------|-----------|----------|-------------------|
| CZW | Motor power | Capacity | Head | Weight | Motor power | Capacity | Head | Efficiency | (NPSH)r | Suc' head | suc'time | inlet/outlet diam |
| kw | m3/h | m | kg | kw | m3/h | m | % | m | m | min/5m | mm | |
| 25-8-15 | 2.2 | 8 | 15 | 100 | 3 | 9.6 | 21.6 | 45 | 2 | 5.5 | 3 | 25 |
| 32-5-20 | 2.2 | 5 | 20 | 100 | 3 | 6 | 28.8 | 45 | 2.5 | 5.5 | 3 | 32 |
| 32-10-20 | 2.2 | 10 | 20 | 100 | 3 | 12 | 28.8 | 45 | 2.5 | 5.5 | 3 | 32 |
| 32-9-30 | 3 | 9 | 30 | 120 | 4 | 10.8 | 43.2 | 48 | 2.5 | 5.5 | 3 | 32 |
| 40-10-20 | 2.2 | 10 | 20 | 100 | 3 | 12 | 28.8 | 45 | 2.5 | 5.5 | 3 | 40/32 |
| 40-20-15 | 2.2 | 20 | 15 | 100 | 3 | 24 | 21.6 | 45 | 2.5 | 5.5 | 3 | 40/32 |
| 40-15-30 | 3 | 15 | 30 | 120 | 4 | 18 | 43.2 | 48 | 2.5 | 5.5 | 3 | 40/32 |
| 50-10-20 | 2.2 | 10 | 20 | 100 | 3 | 12 | 28.8 | 45 | 2.5 | 5.5 | 3 | 50/40 |
| 50-20-12 | 2.2 | 20 | 12 | 100 | 3 | 24 | 17.3 | 45 | 2.5 | 5.5 | 3 | 50/40 |
| 50-15-30 | 3 | 15 | 30 | 120 | 5.5 | 18 | 43.2 | 48 | 2.5 | 5.5 | 3 | 50/40 |
| 50-20-35 | 5.5 | 20 | 35 | 150 | 7.5 | 24 | 50.4 | 48 | 2.5 | 5.5 | 3 | 50/40 |
| 65-25-30 | 5.5 | 25 | 30 | 200 | 11 | 30 | 43.2 | 50 | 3 | 5.5 | 3 | 65 |
| 65-25-40 | 7.5 | 25 | 40 | 200 | 15 | 30 | 57.6 | 50 | 3 | 5.5 | 2 | 65 |

| | | | | | | | | | | | | |
|------------|--------------|----------|------|--------|-------------|----------|------|------------|---------|-----------|----------|-------------------|
| 80-65-25 | 11 | 65 | 25 | 240 | 18.5 | 78 | 36 | 52 | 3 | 5.5 | 2 | 80 |
| 80-25-40 | 7.5 | 25 | 40 | 200 | 15 | 30 | 57.6 | 50 | 3 | 5.5 | 2 | 80 |
| 80-65-25 | 11 | 65 | 25 | 240 | 18.5 | 78 | 36 | 52 | 3 | 5.5 | 2 | 80 |
| 80-80-35 | 15 | 80 | 35 | 285 | 22 | 96 | 50.4 | 45 | 3 | 5.5 | 3 | 80 |
| Type | 50hz/1450rpm | | | | 60hz/1800 | | | 50/60hz | | | | |
| CZW | Motor power | Capacity | Head | Weight | Motor power | Capacity | Head | Efficiency | (NPSH)r | Suc' head | suc'time | inlet/outlet diam |
| kw | m3/h | m | kg | kw | m3/h | m | % | m | m | min/5m | mm | |
| 65-30-18 | 4 | 30 | 18 | 200 | 5.5 | 36 | 25.9 | 45 | 2.5 | 5.5 | 3 | 65 |
| 65-40-25 | 7.5 | 40 | 25 | 200 | 11 | 48 | 36 | 50 | 3 | 5.5 | 2 | 65 |
| 80-40-16 | 4 | 40 | 16 | 240 | 5.5 | 48 | 23 | 50 | 3 | 5 | 3 | 80 |
| 80-40-25 | 7.5 | 40 | 25 | 200 | 11 | 48 | 36 | 50 | 3 | 5.5 | 2 | 80 |
| 80-80-35 | 15 | 80 | 354 | 450 | 22 | 96 | 50.4 | 50 | 3 | 5.5 | 2 | 80 |
| 80-50-60 | 22 | 50 | 60 | 340 | 37 | 60 | 86.4 | 55 | 3 | 5 | 3 | 80 |
| 100-100-15 | 7.5 | 100 | 15 | 300 | 15 | 120 | 21.6 | 50 | 4 | 5.5 | 3 | 100 |
| 100-80-20 | 7.5 | 80 | 20 | 300 | 15 | 96 | 28.8 | 53 | 4 | 5.5 | 3 | 100 |
| 100-100-20 | 11 | 100 | 20 | 340 | 18.5 | 120 | 28.8 | 53 | 4 | 5.5 | 3 | 100 |
| 100-100-30 | 22 | 100 | 30 | 510 | 37 | 120 | 43.2 | 53 | 4 | 5.5 | 2 | 100 |
| 125-120-20 | 15 | 120 | 20 | 500 | 22 | 144 | 28.8 | 55 | 4.5 | 5.5 | 2 | 125 |
| 150-180-14 | 15 | 180 | 14 | 500 | 22 | 216 | 20.1 | 60 | 5 | 5.5 | 3.5 | 150 |
| 150-180-20 | 22 | 180 | 20 | 570 | 37 | 216 | 28.8 | 60 | 5 | 5 | 3 | 125 |
| 150-180-30 | 27 | 180 | 30 | 680 | 55 | 216 | 43.2 | 65 | 5 | 5 | 3 | 150 |
| 150-180-38 | 55 | 180 | 38 | 800 | 90 | 216 | 54.7 | 45 | 5 | 6 | 3.5 | 150 |
| 200-280-14 | 22 | 280 | 14 | 700 | 37 | 336 | 20.1 | 65 | 5 | 5 | 3 | 200 |

| | | | | | | | | | | | | |
|------------|----|-----|----|-----|----|-----|----------|----|-----|-----|---|-----|
| 200-280-28 | 55 | 280 | 28 | 940 | 90 | 336 | 40. 3 | 55 | 4.8 | 5.2 | 3 | 200 |
|------------|----|-----|----|-----|----|-----|----------|----|-----|-----|---|-----|

