

Jinbo Marine

Marine & Offshore Equipment Datasheet

PRODUCT DATASHEET

CB MARINE AIR PIPE HEAD

Cast Aluminum Air Vent Head

Air Pipe Head is called as air vent head, air pipe joint. It is a kind of check valve used on the air pipe system of oil or water tank in the vessels and the offshore drilling platform. The traditional air pipe head is c...

ISO9001 Supplier

Class Certificate

Export Supply



Key Highlights

Category CB Marine Air Pipe Head

Standard JIS

Material Aluminum Alloy

Certificate ABS, DNV/GL, KR

We can supply according to your requirement, drawings, class certificate needs, and delivery schedule.

Technical Specifications

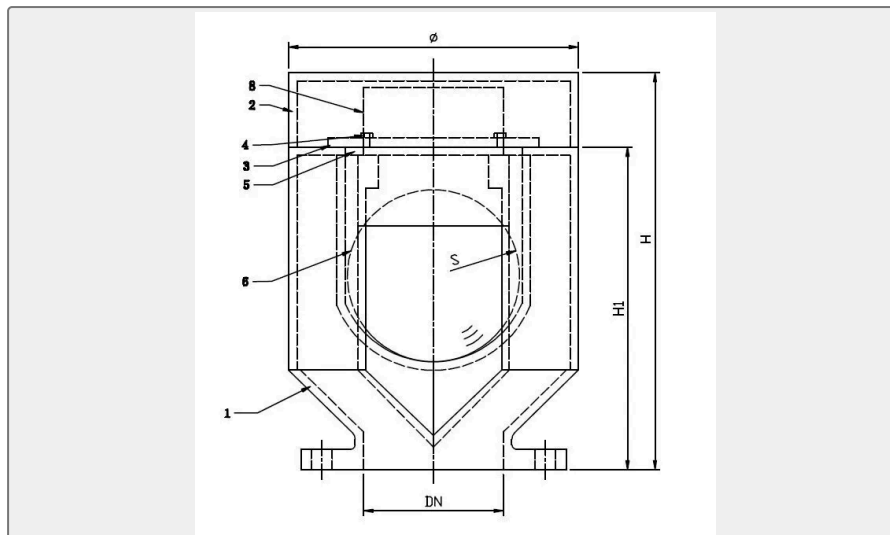
Category	CB Marine Air Pipe Head	Model / SKU	Cast-Aluminum-Air-Vent-Head
Standard	JIS	Material	Aluminum Alloy
Certificate	ABS, DNV/GL, KR	Warranty	12 Months unless specified otherwise
Origin	China		

CONTENTS

- China Cast Aluminum Air Vent Head:
 - Specification:
- Main Parts & Material



China Cast Aluminum Air Vent Head:



Air Pipe Head is called as air vent head, air pipe joint. It is a kind of check valve used on the air pipe system of oil or water tank in the vessels and the offshore drilling platform. The traditional air pipe head is cast iron, aluminum alloy air pipe head is much lighter than cast iron air pipe head. Aluminum alloy air pipe head is float ball type air pipe head.

Main Parts & Material

Body/Bonnet---Cast Aluminum Alloy

Float Ball---Stainless Steel or PE (Note: PE type with class type approval certificate)

Seat---NBR

Screen---Stainless Steel

Specification:

Flange Standard: JIS 5K, 10K, DIN PN10

Hydraulic Test for body must be done.