

GB MARINE BOX VALVE

Cast Iron Single Arrangement Suction Stop Check Box Valve GB/T1855-93 Type S/SS

ISO9001 Supplier

Class Certificate

Export Supply

Marine Cast Iron Single Arrangement Suction Stop Check Box Valve has R/RS, S/SS types. R/RS is with duplex stop check valves, S/SS is with triple stop check valves. Design Standard:GB/T1855-93 Test Standard:G...



Key Highlights

Category	GB Marine Box Valve
Standard	GB
Material	Cast Iron
Weight / Size	Body-Cast Iron(HT200) Bonnet-Cast Iron (HT200) Disc-Bronze Seat-Bronze S...
Certificate	CCS, BV, ABS, NK, DNV/GL, LR

We can supply according to your requirement, drawings, class certificate needs, and delivery schedule.

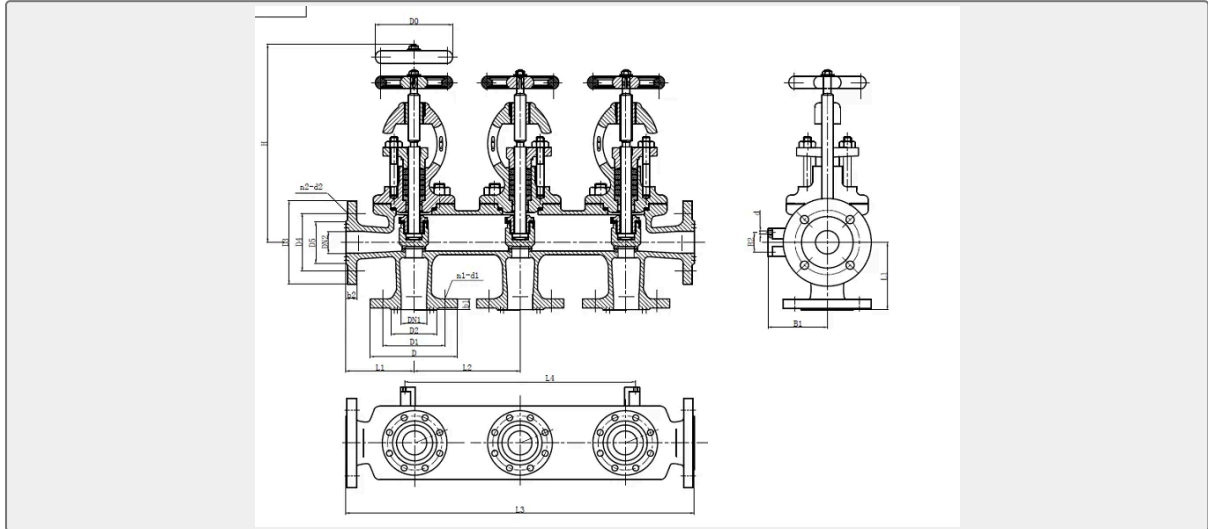
Technical Specifications

Category	GB Marine Box Valve	Model / SKU	Cast-Iron-Single-Arrangement-Suction-Stop-Check-Box-Valve-GB-T1855-93-Type-S-SS
Standard	GB	Material	Cast Iron
Weight / Size	Body-Cast Iron(HT200) Bonnet-Cast Iron (HT200) Disc-Bronze Seat-Bronze Stem-Bronze / Stainless Steel Main Size List(mm):	Certificate	CCS, BV, ABS, NK, DNV/GL, LR
Warranty	12 Months unless specified otherwise	Origin	China



CONTENTS	■ China Cast Iron Single Arrangement Suction Stop Check Box Valve GB/T1855-93 Type S/SS:	■ Main Material:
	■ Main Size List(mm):	

China Cast Iron Single Arrangement Suction Stop Check Box Valve GB/T1855-93 Type S/SS:



Marine Cast Iron Single Arrangement Suction Stop Check Box Valve has R/RS, S/SS types. R/RS is with duplex stop check valves, S/SS is with triple stop check valves.

Design Standard:GB/T1855-93

Test Standard:GB600

Flange as per GB569 or GB2501

Nominal Pressure (Mpa)	Nominal Diameter(mm)	Applicable Medium
1.0	40/50--150/200	sea water, fresh water
0.6	200/250--250/300	

Main Material:

Body-Cast Iron(HT200)

Bonnet-Cast Iron (HT200)

Disc-Bronze

Seat-Bronze

Stem-Bronze / Stainless Steel

Main Size List(mm):

Type R, S:



PN (MPa)	DN (mm)		Structure Dimension										δ	connection dimension of flange										
			L1	L2	L3		L4		H	B1	B2	d		Inlet DN1					Outlet DN2					bolt Th.
	R	S			R	S	D1	D2						b1	n1-d2	D3	D4	D5	b2	n2-d2				
1.0	40	50	110	160	380	540	210	370	230	95	50	130	8	125	93	74	16	6-15	135	130	84	16	6-15	M14
	50	65	120	180	420	600	230	410	250	100	50	135	8	130	104	16	6-15	145	140	94	16	6-15	M14	
	65	80	130	180	440	620	230	410	270	100	50	140	9	135	115	16	6-15	155	150	114	16	8-15	M14	
	80	100	140	200	480	680	260	460	300	100	60	140	9	140	118	16	8-15	165	160	118	16	8-15	M14	
	100	120	150	200	570	800	290	520	350	100	60	145	1	145	133	16	8-15	175	170	133	16	10-15	M14	
	120	150	160	200	650	900	310	550	360	100	60	150	1	150	146	16	10-15	185	180	146	16	12-15	M14	
	150	200	170	200	740	1020	340	620	410	100	65	150	1	150	160	16	12-15	195	190	160	16	12-15	M14	
0.6	200	250	208	300	940	1320	446	826	543	205	80	201	13	205	204	207	16	12-15	235	230	206	16	14-17	M14
	250	300	240	300	1260	1720	504	1040	623	200	80	210	14	210	230	208	14	14-17	240	238	206	16	14-19	M16

Type RS,SS:

PN (MPa)	DN (mm)		Structure Dimension										δ	connection dimension of flange									
			L1	L2	L3		L4		H	B1	B2	d		Inlet DN1					Outlet DN2				
	RS	SS			RS	SS	D1	D2						b1	n1-d2	D3	D4	D5	b2	n2-d2			



1.0	40	50	1 1 5	1 8 0	41 0	59 0	2 3 0	4 1 0	2 3 6	1 0 5	5 0	1 3	8	1 2 5	11 0	8 8	1 8	4- 18	1 6 5	1 2 5	1 0 2	2 0	4- 18	M 16
	50	65	1 2 5	1 9 5	44 5	65 0	2 4 5	4 4 0	2 5 6	1 1 5	5 0	1 5	8	1 6 5	1 2 5	1 0 2	2 0	4- 18	1 8 5	1 4 5	1 2 2	2 0	4- 18	M 16
	65	80	1 4 5	2 1 5	50 5	72 0	2 6 5	4 8 0	2 7 7	1 3 5	5 0	1 5	9	1 8 5	1 4 5	1 2 2	2 0	4- 18	2 0 0	1 6 0	1 3 3	2 2 3	8- 18	M 16
	80	100	1 5 5	2 3 0	54 0	77 0	2 9 0	5 2 0	3 0 4	1 4 5	6 0	1 7	9	2 0 0	1 6 3	1 3	2 2	8- 18	2 2 0	1 8 0	1 5 8	2 4 8	8- 18	M 16
	100	125	1 7 5	2 7 0	62 0	89 0	3 3 0	6 0 0	3 2 5	1 6 5	6 0	1 7	1 0	2 2 0	1 8 8	1 5	2 4	8- 18	2 5 0	2 1 0	1 8 4	2 6 4	8- 18	M 16
	125	150	2 0 0	2 9 0	69 0	98 0	3 5 0	6 4 0	3 6 6	1 8 0	6 0	1 7	1 0	2 5 0	2 1 4	1 8	2 6	8- 18	2 8 5	2 4 0	2 1 2	2 6 2	8- 22	M 16
	150	200	2 2 5	3 2 5	77 5	110 0	3 8 5	7 1 0	4 1 6	2 0 0	6 0	1 7	1 1	2 8 5	2 4 2	2 1	2 6	8- 22	3 4 0	2 9 5	2 6 8	2 8 8	8- 22	M 20
0.6	200	250	2 7 5	3 8 0	93 0	130 10	4 5 0	8 3 0	5 4 3	2 4 0	7 0	2 1	1 3	3 2 0	2 8 8	2 5	2 8	8- 18	3 7 5	3 3 5	3 1 2	2 4	12 -1 8	M 16
	250	300	3 2 5	4 3 5	108 0	150 15	5 0 5	9 4 0	6 2 3	2 8 0	7 0	2 1	1 4	3 7 5	3 3 2	3 1	2 4	12 -1 8	4 4 0	3 9 5	3 6 5	2 4	12 -2 2	M 16

