

# Jinbo Marine

Marine &amp; Offshore Equipment Datasheet

PRODUCT DATASHEET

## GB MARINE QUICK CLOSING VALVE

# Cast Steel Angle Pneumatic Quick Closing Valve

ISO9001 Supplier

Class Certificate

Export Supply

Marine Cast Steel Pneumatic Quick Closing Valve is air-actuated, and also can be controlled by the rope, used as the emergency shut-off valve for marine fresh water, fuel oil, lubrication oil pipe system. It also can be ...



### Key Highlights

Category	GB Marine Quick Closing Valve
Standard	GB
Material	Cast Steel
Weight / Size	Body-Cast Steel Bonnet-Cast Steel Disc-Carbon Steel Stem-Stainless Steel...
Certificate	CCS, BV, DNV/GL, RINA, NK, ABS, GL, IRS, RMRS

We can supply according to your requirement, drawings, class certificate needs, and delivery schedule.

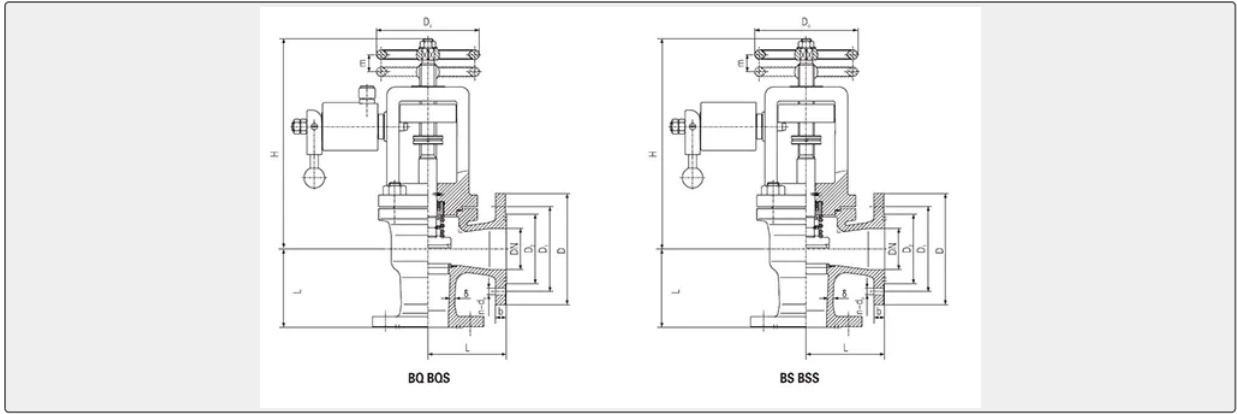
### Technical Specifications

Category	GB Marine Quick Closing Valve	Model / SKU	Cast-Steel-Angle-Pneumatic-Quick-Closing-Valve
Standard	GB	Material	Cast Steel
Weight / Size	Body-Cast Steel Bonnet-Cast Steel Disc-Carbon Steel Stem-Stainless Steel Piston-Brass Air Cylinder---Stainless Steel Main Size(mm):	Certificate	CCS, BV, DNV/GL, RINA, NK, ABS, GL, IRS, RMRS
Warranty	12 Months unless specified otherwise	Origin	China

#### CONTENTS

- China Cast Steel Angle Pneumatic Quick Closing Valve:
- Main Parts & Material:
- Technical Specification:
- Main Size(mm):

## China Cast Steel Angle Pneumatic Quick Closing Valve:



Marine Cast Steel Pneumatic Quick Closing Valve is air-actuated, and also can be controlled by the rope, used as the emergency shut-off valve for marine fresh water, fuel oil, lubrication oil pipe system. It also can be opened/closed by the handwheel as the stop valve. When in emergency, it can be closed by hand on the spot, or remotely.

### Technical Specification:

Design Standard: GB/T5744-2008

Test Standard: GB600

Nominal Pressure: 0.6Mpa~2.5Mpa

Flange Standard: GB2501

Working Pressure of Cylinder: 0.3~0.7Mpa

### Main Parts & Material:

Body-Cast Steel

Bonnet-Cast Steel

Disc-Carbon Steel

Stem-Stainless Steel

Piston-Brass

Air Cylinder---Stainless Steel

### Main Size(mm):

Nominal Size	Structural Size				Handwheel	Lift Range	Flange												Cylinder Volume	
	L		H				L0	b	PN6			PN10			PN16			PN25		
DN	Type A	Type B	Type A	Type B	Do	m			D	D1	n-d	D	D1	n-d	D	D1	n-d	D	D1	n-d

15	13 0	90	20 5	22 0	1 9 8	80	8	1 4	8 0	5 5	4- 11	9 5	6 5	4- 1 4	9 5	6 5	4- 14	9 5	6 5	4- 14	0.075
20	15 0	95	21 0	22 0	1 9 8	80	8	1 6	9 0	6 5	4- 11	1 0 5	7 5	4- 1 4	1 0 5	7 5	4- 14	1 0 5	7 5	4- 14	
25	16 0	10 0	23 0	22 0	1 9 8	80	9	1 6	1 0 0	7 5	4- 11	11 5	8 5	4- 1 4	11 5	8 5	4- 14	11 5	8 5	4- 14	
32	18 0	10 5	23 0	22 0	1 9 8	100	9	1 8	1 2 0	9 0	4- 1 4	1 4 0	1 0 0	4- 1 8	1 4 0	1 0 0	4- 18	1 4 0	1 0 0	4- 18	
40	20 0	11 5	26 0	26 5	2 3 5	120	13	1 8	1 3 0	1 0 0	4- 1 4	1 5 0	11 0	4- 1 8	1 5 0	11 0	4- 18	1 5 0	11 0	4- 18	
50	23 0	12 5	29 0	26 5	2 4 0	140	16	2 0	1 4 0	11 0	4- 1 4	1 6 5	1 2 5	4- 1 8	1 6 5	1 2 5	4- 18	1 6 5	1 2 5	4- 18	0.166
65	29 0	14 5	31 5	29 0	2 4 5	140	19	2 2	1 6 0	1 3 0	4- 1 4	1 8 5	1 4 5	8- 1 8	1 8 5	1 4 5	8- 18	1 8 5	1 4 5	8- 18	
80	31 0	15 5	33 0	30 0	2 4 5	160	23	2 2	1 9 0	1 5 0	4- 1 8	2 0 0	1 6 0	8- 1 8	2 0 0	1 6 0	8- 18	2 0 0	1 6 0	8- 18	
100	35 0	17 5	38 5	33 5	2 4 5	180	30	2 2	2 1 0	1 7 0	4- 1 8	2 2 0	2 8 0	8- 1 8	2 2 0	2 8 0	8- 18	2 3 5	1 9 0	8- 22	
125	40 0	20 0	44 2	36 5	2 5 5	180	40	2 2	2 4 0	2 0 0	8- 1 8	2 5 0	2 1 5	8- 2 2	2 5 0	2 1 5	8- 22	2 7 0	2 2 0	8- 26	
150	48 0	22 5	48 5	40 0	2 6 0	200	44	2 4	2 6 5	2 5 5	8- 1 8	2 8 5	2 4 0	8- 2 2	2 8 5	2 4 0	8- 22	3 0 0	2 5 0	8- 26	
200	60 0	27 5	60 5	51 0	2 8 0	320	64	2 4	3 2 0	2 8 0	8- 1 8	3 4 0	2 9 5	8- 2 2	3 4 5	2 9 5	12- 2 2	3 6 0	3 1 0	12- 2 6	