

Jinbo Marine

Marine & Offshore Equipment Datasheet

PRODUCT DATASHEET

GB MARINE SUCTION SEA VALVE

Cast Steel Kingston Valve

Kingston Valve is the marine sea valve/sea suction valve. It is the water inlet valve in the bottom or side of the boat, used to control the outboard water into the ship for cleaning and cooling of the ship. Techni...

ISO9001 Supplier

Class Certificate

Export Supply



Key Highlights

Category	GB Marine Suction Sea Valve
Standard	GB
Material	Cast Steel
Weight / Size	GB600 Flange size as per GB569,GB2501 Hydraulic Test Pressure:
Certificate	CCS, BV, ABS, DNV/GL, NK, IRS, RMRS, KR,LR

We can supply according to your requirement, drawings, class certificate needs, and delivery schedule.

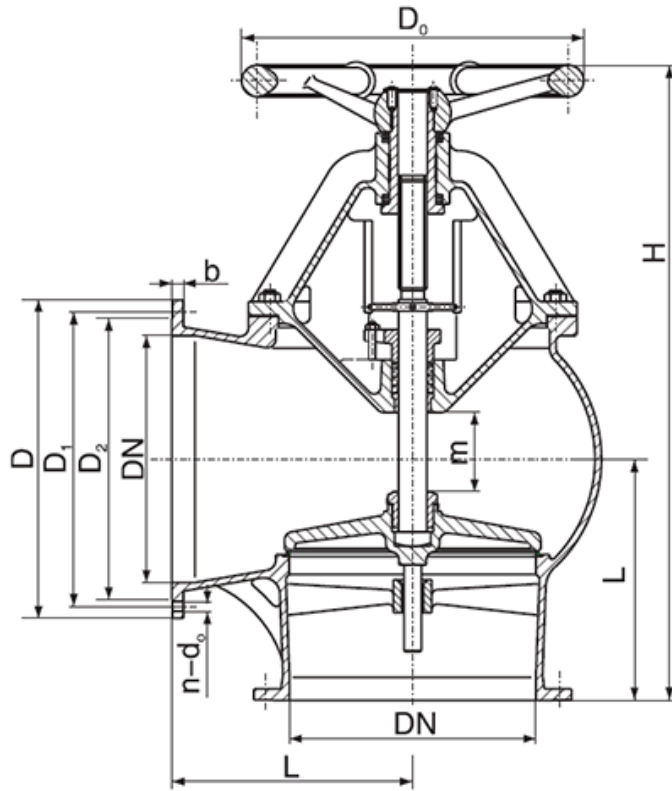
Technical Specifications

Category	GB Marine Suction Sea Valve	Model / SKU	Cast-Steel-Kingston-Valve
Standard	GB	Material	Cast Steel
Weight / Size	GB600 Flange size as per GB569,GB2501 Hydraulic Test Pressure:	Certificate	CCS, BV, ABS, DNV/GL, NK, IRS, RMRS, KR,LR
Warranty	12 Months unless specified otherwise	Origin	China

CONTENTS

- China Cast Steel Kingston Valve:
- Main Material:
- Technical Specification:
- Main Size List(mm):

China Cast Steel Kingston Valve:



Kingston Valve is the marine sea valve/sea suction valve. It is the water inlet valve in the bottom or side of the boat, used to control the outboard water into the ship for cleaning and cooling of the ship.

Technical Specification:

Design Standard: GB/T2029-2008, CBM1041-81, GB/T11691

Test Standard: GB600

Flange size as per GB569,GB2501

Hydraulic Test Pressure: 0.6Mpa for body, 0.44Mpa for seat.

Nominal Pressure(Mpa)	Nominal Diameter(mm)	Applicable Medium
0.4	B50-400	sea water,fresh water
	BS50-400	

Main Material:

Body-Cast Steel

Bonnet-Cast Steel

Disc-Bronze

Seat-Bronze

Stem-Bronze

Handwheel-Cast Steel

Main Size List(mm):

Size for Type B:

DN (mm)	Structure Dimension		Flange					Bolt		Thickness t	handle D0	lift range m	Weight(kg)
	L	H	D	D1	D2	b	d0	n	Th.				
50	125	230	135	103	84	13	15	6	M14	7	140	16	14.4
65	145	240	155	123	104	13	15	6	M14	7	140	20	17.6
80	155	260	170	138	118	14	15	8	M14	7	160	24	16.8
100	175	280	190	158	138	14	15	8	M14	8	180	30	21.8
125	200	310	215	183	164	14	15	10	M14	8	200	40	30.8
150	225	340	240	208	190	14	15	12	M14	9	225	48	47.8
200	275	375	295	264	247	15	15	12	M14	9	280	60	68.4
250	325	425	365	327	306	16	17	14	M16	10	360	70	104.0
300	375	480	430	386	360	19	22	14	M20	11	400	78	167.0
350	425	560	480	436	410	20	22	16	M20	11	450	100	221.0
400	475	640	530	486	460	21	22	16	M20	12	500	110	292.0

Size for Type BS:

DN (mm)	Structure Dimension		Flange					Bolt		Thickness t	handle D0	lift range m	Weight(kg)
	L	H	D	D1	D2	b	d0	n	Th.				
50	125	230	140	110	90	16	14	4	M12	7	140	16	15.1
65	145	240	160	130	110	16	14	4	M12	7	140	20	17.6
80	155	260	190	150	128	18	18	4	M16	7	160	24	21.0
100	175	280	210	170	148	18	18	4	M16	8	180	30	25.7
125	200	310	240	200	178	20	18	8	M16	8	200	40	36.5
150	225	340	265	225	202	20	18	8	M16	9	225	48	59.8
200	275	375	320	280	258	22	18	8	M16	9	280	60	80.7
250	325	425	375	335	312	24	18	12	M16	10	360	70	121.0
300	375	480	440	395	365	24	22	12	M20	11	400	78	184.0
350	425	560	490	445	415	24	22	12	M20	11	450	100	247.0
400	475	640	540	495	465	24	22	16	M20	12	500	110	324.0
450	500	720	595	550	520	24	22	16	M20	12	550	150	467.2
500	525	800	645	600	570	26	22	20	M20	13	600	155	550.9