

Jinbo Marine

Marine & Offshore Equipment Datasheet

PRODUCT DATASHEET

PV VALVE

Cast Steel PV Valve

Marine PV valve (pressure/vacuum valve for cargo oil tank) is also called as high-velocity relief valve, high velocity P/V valve, generally used in the relief system of the oil tanker and chemical tanker, according to ...

ISO9001 Supplier

Class Certificate

Export Supply



Key Highlights

Category	PV VALVE
Standard	JIS
Material	Cast Steel
Weight / Size	Parts Quantity Material Remarks 1 P-valve base 1 ZG200-400 Cast 20# 2 Wa...
Certificate	ABS, BV, CCS, RMRS

We can supply according to your requirement, drawings, class certificate needs, and delivery schedule.

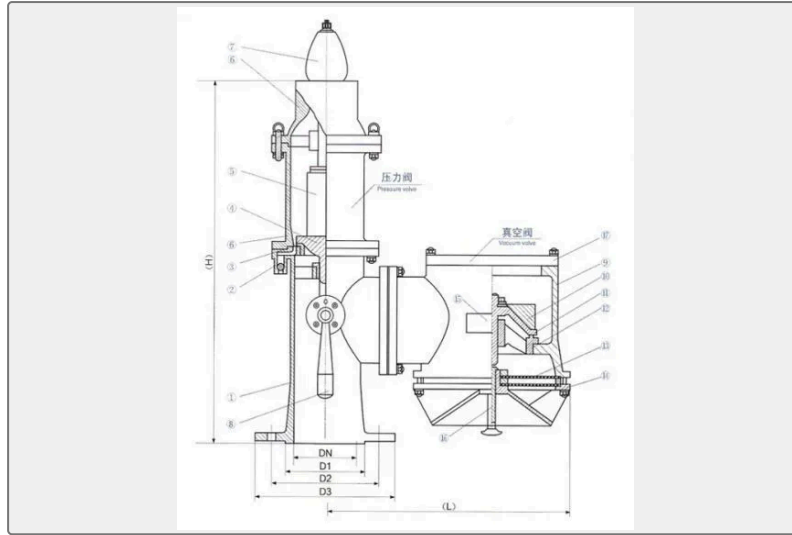


Technical Specifications			
Category	PV VALVE	Model / SKU	Cast-Steel-PV-Valve
Standard	JIS	Material	Cast Steel
Weight / Size	<p>Parts Quantity Material Remarks</p> <p>1 P-valve base 1 ZG200-400 Cast</p> <p>20# 2 Water nozzle 1 0Cr18Ni9</p> <p>SUS304 3 P-valve seat 1</p> <p>0Cr18Ni9 SUS304 4 P-valve disc</p> <p>1 0Cr18Ni9 SUS304 5 Matching</p> <p>block 1 0Cr18Ni9 SUS304 6 P-</p> <p>valve body (A) (B) 1 ZG200-400</p> <p>Cast 20# 7 Conducting machine 1</p> <p>0Cr18Ni9 SUS304 8 Handle 1</p> <p>0Cr18Ni9 SUS304 9 V-valve body</p> <p>1 ZG200-400 Cast 20# 10</p> <p>Matching block 1 0Cr18Ni9</p> <p>SUS304 11 V-valve disc 1</p> <p>0Cr18Ni9 SUS304 12 V-valve seat</p> <p>1 0Cr18Ni9 SUS304 13 Flame</p> <p>screen 2 00Cr17Ni14Mo2 SUS304</p> <p>14 Flame screen gland 1 ZG200-</p> <p>400 Cast 20# 15 Nameplate 1</p> <p>0Cr18Ni9 SUS304 16 Climbing</p> <p>pole 1 0Cr18Ni9 SUS304 17 Gas-</p> <p>freeing cover or V-valve cover 1</p> <p>ZG200-400 Cast 20# Main Size</p> <p>List(mm):</p>	Certificate	ABS, BV, CCS, RMRS
Warranty	12 Months unless specified otherwise	Origin	China

CONTENTS

- China Cast Steel PV Valve:
- Main Parts & Material:
- Specification:
- Main Size List(mm):

China Cast Steel PV Valve:



Marine PV valve (pressure/vacuum valve for cargo oil tank) is also called as high-velocity relief valve, high velocity P/V valve, generally used in the relief system of the oil tanker and chemical tanker, according to the current regulations IMO and IBC. The purpose of the high velocity valve is to provide automatic control of pressure differentials during liquid cargo ship loading, voyage, ballasting and de-ballasting without any manual operation, also, it provides auto-protection against fire and explosions on deck. Additionally in the event that the inert gas system can not supply gas promptly, the vacuum valve can auto open to protect the tank against excessive vacuum when de-ballasting on dock. Normal, when the pressure risen in tank because of temperature or loading, the pressure valve open automatically and vent gas. When the pressure of tank come to pressure differentials, the vacuum valve or pressure valve all can be automatic resetted. If an ignition occurs outside the tank space, the flames will be quenched in the flame trap.

Specification:

Material: Cast Steel 20#

Flange Standard: GB, JIS, DIN, ANSI, BS

Opening Pressure of Vacuum Valve: -3.5kPa

Opening Pressure of Pressure Valve on the oil tank is 14kPa, on the chemical tank is 20kPa.

The opening pressure of the pressure may be different, but the differences of opening pressure and flow range is inapparent if the pressure valves have the same diameter.

Main Parts & Material:

Serial No.	Parts	Quantity	Material	Remarks
1	P-valve base	1	ZG200-400	Cast 20#
2	Water nozzle	1	0Cr18Ni9	SUS304
3	P-valve seat	1	0Cr18Ni9	SUS304
4	P-valve disc	1	0Cr18Ni9	SUS304
5	Matching block	1	0Cr18Ni9	SUS304
6	P-valve body (A) (B)	1	ZG200-400	Cast 20#
7	Conducting machine	1	0Cr18Ni9	



8	Handle	1	0Cr18Ni9	SUS304
9	V-valve body	1	ZG200-400	Cast 20#
10	Matching block	1	0Cr18Ni9	SUS304
11	V-valve disc	1	0Cr18Ni9	SUS304
12	V-valve seat	1	0Cr18Ni9	SUS304
13	Flame screen	2	00Cr17Ni14Mo2	SUS304
14	Flame screen gland	1	ZG200-400	Cast 20#
15	Nameplate	1	0Cr18Ni9	SUS304
16	Climbing pole	1	0Cr18Ni9	SUS304
17	Gas-freeing cover or V-valve cover	1	ZG200-400	Cast 20#

Main Size List(mm):

DN	D2	D1	D	L	H	Assembly hole
250	320	350	395	460	860	12xø22
200	268	295	340	455	850	8xø18
150	202	225	265	385	710	8xø18
125	178	200	240	380	665	8xø18
100	148	170	210	285	565	4xø18
80	128	150	190	285	535	4xø18
65	110	130	160	255	485	4xø14
50	90	110	140	255	485	4xø14

*The flange size in the list as per GB2501. We also can machine the flange as per JIS, DIN, ANSI.