

## CB MARINE DRAIN VALVE

# Cast Steel Self-Closing Drain Valve CB/T601-92 Type U

ISO9001 Supplier

Class Certificate

Export Supply

Marine Self-closing Drain Valve is used on the pipe system with the medium sea water, fresh water, fuel oil, lubrication oil. Technical Specification: ...

**Key Highlights**

<b>Category</b>	CB Marine Drain Valve
<b>Standard</b>	GB
<b>Material</b>	Cast Steel
<b>Weight / Size</b>	Type Name Nominal pressure(Mpa) Nominal Diameter(mm) A flange size as pe...
<b>Certificate</b>	CCS, BV, ABS, GL, LR, DNV, NK,RINA, KR,IRS

We can supply according to your requirement, drawings, class certificate needs, and delivery schedule.

**Technical Specifications**

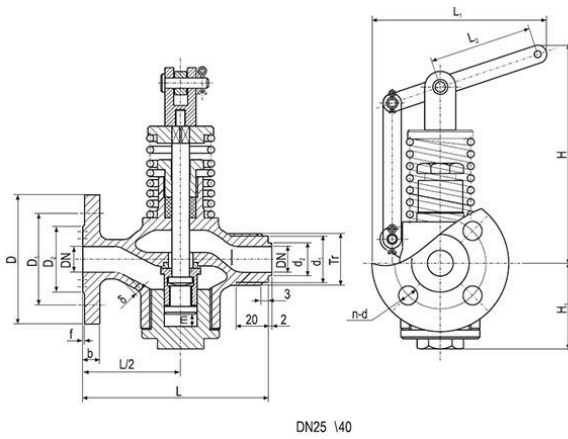
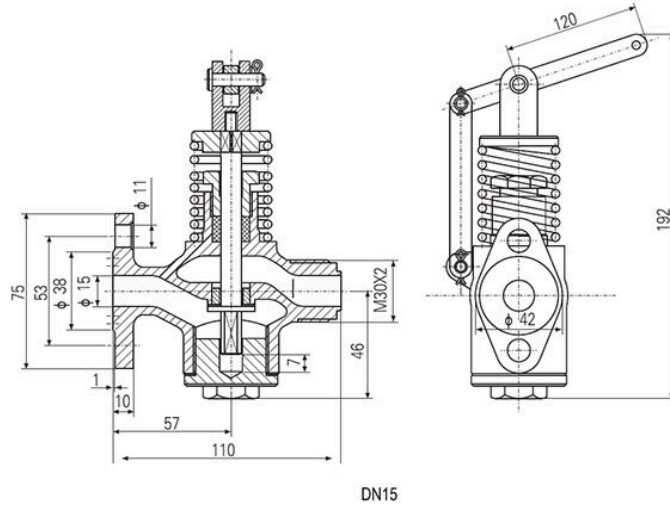
<b>Category</b>	CB Marine Drain Valve	<b>Model / SKU</b>	Cast-Steel-Self-Closing-Drain-Valve-CB-T601-92-Type-U
<b>Standard</b>	GB	<b>Material</b>	Cast Steel
<b>Weight / Size</b>	Type Name Nominal pressure(Mpa) Nominal Diameter(mm) A flange size as per GB569 0.25 15,25,40 AS flange size as per GB2501 Main Parts & Material:	<b>Certificate</b>	CCS, BV, ABS, GL, LR, DNV, NK,RINA, KR,IRS
<b>Warranty</b>	12 Months unless specified otherwise	<b>Origin</b>	China

<b>CONTENTS</b>	■ Technical Specification:	■ Main Parts & Material:
	■ Technical Specification:	■ Main Parts & Material:
	■ Main Size List(mm):	

Technical Specification:

Main Parts & Material:

Marine Self-closing Drain Valve is used on the pipe system with the medium sea water, fresh water, fuel oil, lubrication oil.



**Technical Specification:**

Design Standard:CB/T601-92

Test Standard: GB600

Thread Standard: CB3019

Type U- one side is with flange, another side is with thread

Type F- two sides are flange connection.

Type	Name	Nominal pressure(Mpa)	Nominal Diameter(mm)
------	------	-----------------------	----------------------



A	flange size as per GB569	0.25	15,25,40
AS	flange size as per GB2501		

## Main Parts & Material:

Body: Bronze / Cast Steel

Seat: Bronze

Disc: Bronze

Stem: Bronze

Spring: Carbon spring steel wire

## Main Size List(mm):

For Type A : (Flange size ad per GB569, DN15 size as per the drawing)

nominal diameter	Structure Dimension						Flange							screw end			Lift Range m	Weight (kg)
	L	L1	L2	H	H1	δ	D	D1	D2	b	f	n	d	Th.	d1	d2		
25	136	183	130	168	62	6	105	73	56	12	1	4	13	M42×2	39	29	10	3.1
40	170	203	140	195	80	7	125	93	74	13	1	6	15	—	—	—	13	6.9

For Type AS (Flange size as per GB2501):

nominal diameter	Structure Dimension						Flange							screw end			Lift Range m	Weight (kg)
	L	L1	L2	H	H1	δ	D	D1	D2	b	f	n	d	Th.	d1	d2		
15	130	165	120	146	46	4	80	55	40	12	2	4	11	M30×2	27	19	7	1.75
25	160	183	130	168	62	6	100	75	60	14	2	4	11	M42×2	39	29	10	3.64
40	200	203	140	195	80	7	130	100	80	16	3	4	14	—	—	—	13	6.93

The description/sizes may be different with goods, please check with us when order.