

Jinbo Marine

Marine & Offshore Equipment Datasheet

PRODUCT DATASHEET

CB MARINE DRAIN VALVE

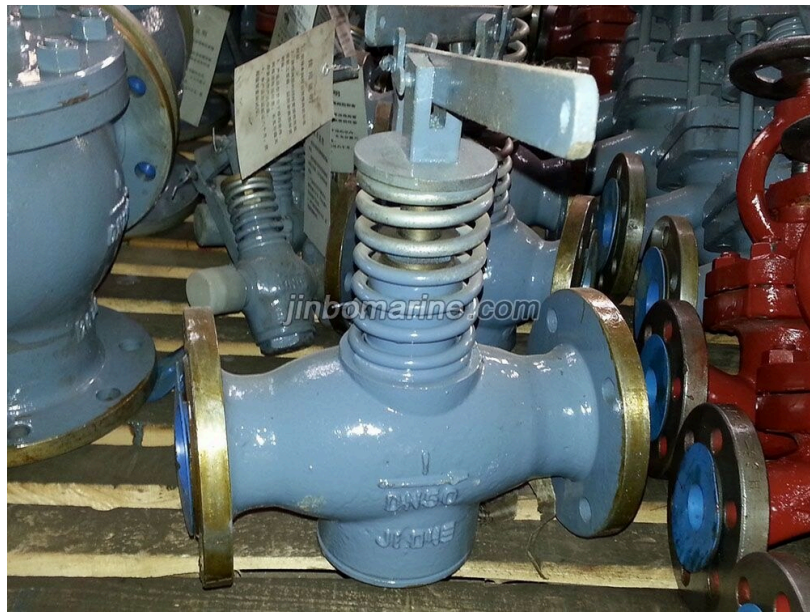
Cast Steel Self-Closing Drain Valve CBM1078-81 Type F

ISO9001 Supplier

Class Certificate

Export Supply

Self-closing Drain Valve is used on the pipe system with the medium sea water, fresh water, fuel oil, lubrication oil. Technical Specification: Design Standard: CBM1078-81 Test Standard: GB600 Thr...



Key Highlights

Category	CB Marine Drain Valve
Standard	GB
Material	Cast Steel
Weight / Size	Type Name Nominal Pressure (Kgf/cm2) Nominal Size(mm) Applicable Medium...
Certificate	CCS, BV, ABS, GL, LR, DNV, NK,RINA, KR,IRS

We can supply according to your requirement, drawings, class certificate needs, and delivery schedule.

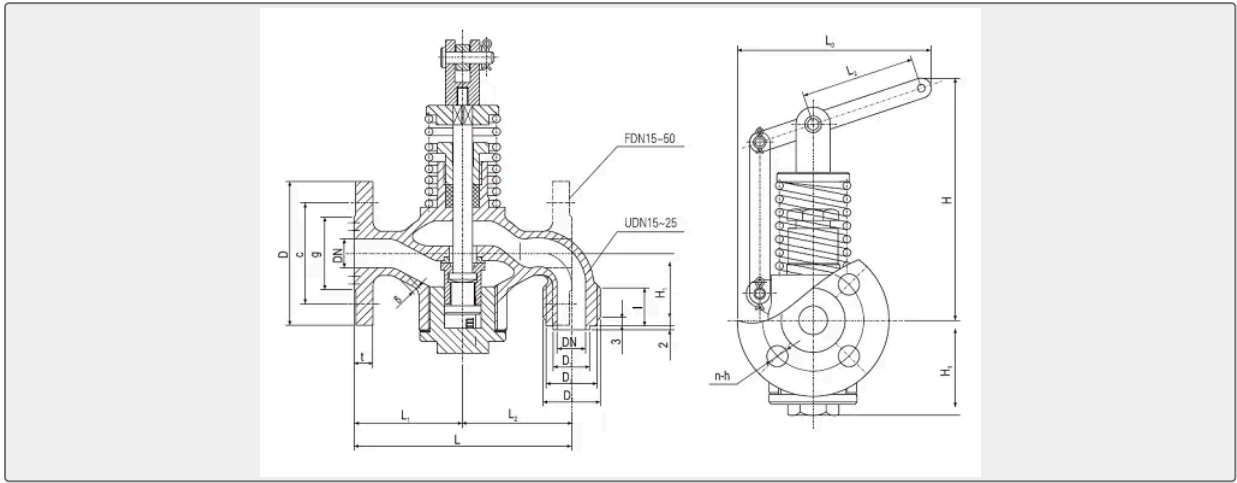
Technical Specifications

Category	CB Marine Drain Valve	Model / SKU	Cast-Steel-Self-Closing-Drain-Valve-CBM1078-81-Type-F
Standard	GB	Material	Cast Steel
Weight / Size	Type Name Nominal Pressure (Kgf/cm2) Nominal Size(mm) Applicable Medium F Straight Drain Valve 1 15,25,40,50 Fuel oil, lubrication oil and fresh water U Elbow Drain Valve Main Parts & Material:	Certificate	CCS, BV, ABS, GL, LR, DNV, NK,RINA, KR,IRS
Warranty	12 Months unless specified otherwise	Origin	China



CONTENTS	■ China Cast Steel Self-Closing Drain Valve CBM1078-81 Type F:	■ Technical Specification:
	■ Main Parts & Material:	■ Main Size List(mm):

China Cast Steel Self-Closing Drain Valve CBM1078-81 Type F:



Self-closing Drain Valve is used on the pipe system with the medium sea water, fresh water, fuel oil, lubrication oil.

Technical Specification:

Design Standard: CBM1078-81

Test Standard: GB600

Thread Standard: CB821

Operation Type: Lever type or Press type

Type U- Elbow type, one side is with flange, another side is with thread

Type F- Straight type, two sides are flange connection.

Type	Name	Nominal Pressure (Kgf/cm ²)	Nominal Size(mm)	Applicable Medium
F	Straight Drain Valve	1	15,25,40,50	Fuel oil, lubrication oil and fresh water
U	Elbow Drain Valve			

Main Parts & Material:

Body: Bronze / Cast Steel

Seat: Bronze

Disc: Bronze

Stem: Bronze

Spring: Carbon spring steel wire



Main Size List(mm):

nomin al diameter	structure dimension					flange					bolt		Thread				hand le LO	Lift Range m	Weight (kg)	
	L	L 1	L 2	H	H 1	D	C	g	h	t	n	Th.	D1	D 2	D 3	L			F	U
15	100	50	50	146	40	95	70	52	15	12	4	M12	M30×2	27	19	20	120	8	2.5	2.1
25	130	65	65	164	60	125	90	70	19	14	4	M16	M42×2	39	29	20	130	10	5.3	4.2
40	180	-	-	195	-	140	105	85	19	16	4	M16	-	-	-	-	140	13	8.0	-
50	220	-	-	215	-	155	120	100	19	16	4	M16	-	-	-	-	140	15	10.4	-