

Jinbo Marine

Marine & Offshore Equipment Datasheet

PRODUCT DATASHEET

CB MARINE DRAIN VALVE

Cast Steel Self-Closing Drain Valve CBM1078-81 Type U

ISO9001 Supplier

Class Certificate

Export Supply

Jinbo Marine supplies marine and offshore equipment for global industrial customers.



Key Highlights

| | |
|-------------|--|
| Category | CB Marine Drain Valve |
| Standard | CB |
| Material | Cast Steel |
| Certificate | CCS, BV, ABS, GL, LR, DNV, NK, RINA, KR, IRS |

We can supply according to your requirement, drawings, class certificate needs, and delivery schedule.

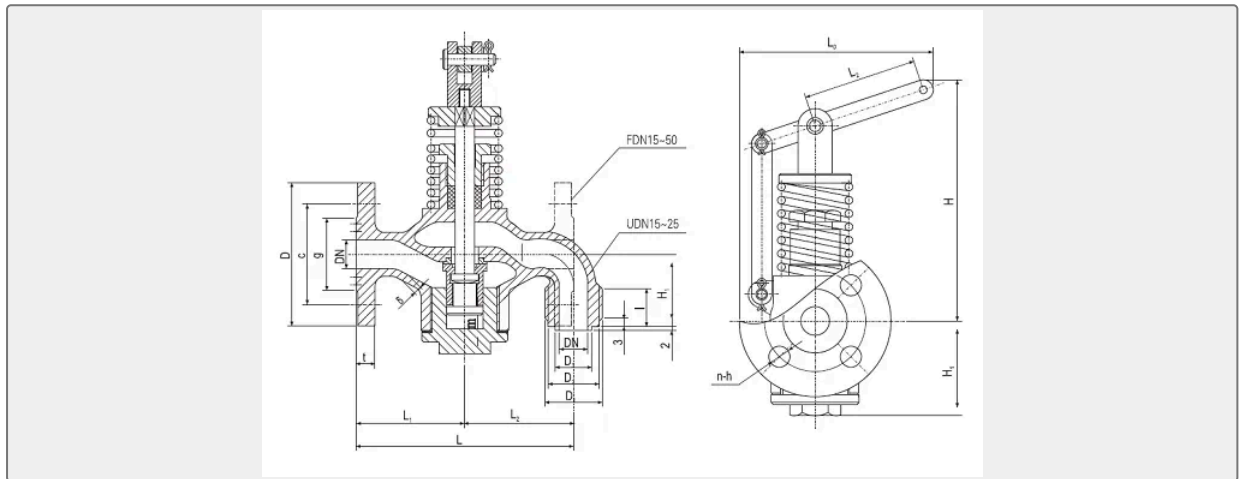
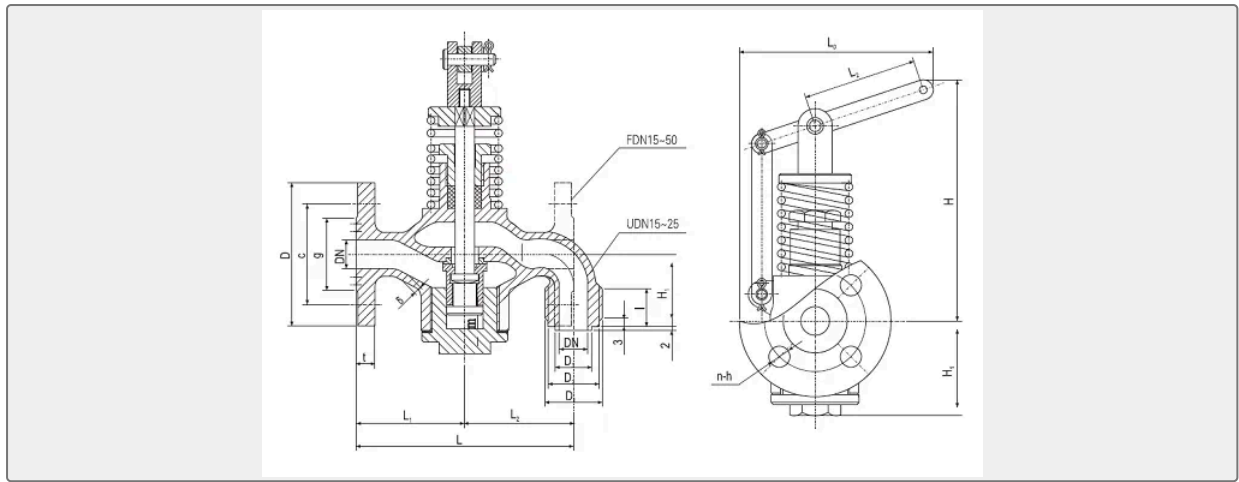
Technical Specifications

| | | | |
|-------------|--|-------------|---|
| Category | CB Marine Drain Valve | Model / SKU | Cast-Steel-Self-Closing-Drain-Valve-CBM1078-81-Type-U |
| Standard | CB | Material | Cast Steel |
| Certificate | CCS, BV, ABS, GL, LR, DNV, NK, RINA, KR, IRS | Warranty | 12 Months unless specified otherwise |
| Origin | China | | |

CONTENTS

- Technical Specification:
- Main Size List(mm):
- Main Parts & Material:
- Technical Specification:





Self-closing Drain Valve is used on the pipe system with the medium sea water, fresh water, fuel oil, lubrication oil.

Technical Specification:

Design Standard: CBM1078-81

Test Standard: GB600

Thread Standard: CB821

Operation Type: Lever type or Press type

Type U- Elblow type, one side is with flange, another side is with thread

Type F- Straight type, two sides are flange connection.

| Type | Name | Nominal Pressure (Kgf/cm ²) | Nominal Size(mm) | Applicable Medium |
|------|----------------------|---|------------------|---|
| F | Straight Drain Valve | 1 | 15,25,40,50 | Fuel oil, lubrication oil and fresh water |
| U | Elbow Drain Valve | | | |

Main Parts & Material:

Body: Bronze / Cast Steel

Seat: Bronze

Disc: Bronze



Stem: Bronze

Spring: Carbon spring steel wire

Main Size List(mm):

| nominal diameter | structure dimension | | | | | flange | | | | | bolt | | Thread | | | | handle LO | Lift Range m | Weight (kg) | |
|------------------|---------------------|----|----|-----|----|--------|-----|-----|----|----|------|-----|--------|----|----|----|-----------|--------------|-------------|-----|
| | L | L1 | L2 | H | H1 | D | C | g | h | t | n | Th. | D1 | D2 | D3 | L | | | F | U |
| 15 | 100 | 50 | 50 | 146 | 40 | 95 | 70 | 52 | 15 | 12 | 4 | M12 | M30×2 | 27 | 19 | 20 | 120 | 8 | 2.5 | 2.1 |
| 25 | 130 | 65 | 65 | 164 | 60 | 125 | 90 | 70 | 19 | 14 | 4 | M16 | M42×2 | 39 | 29 | 20 | 130 | 10 | 5.3 | 4.2 |
| 40 | 180 | - | - | 195 | - | 140 | 105 | 85 | 19 | 16 | 4 | M16 | - | - | - | - | 140 | 13 | 8.0 | - |
| 50 | 220 | - | - | 215 | - | 155 | 120 | 100 | 19 | 16 | 4 | M16 | - | - | - | - | 140 | 15 | 10.4 | - |

Technical Specification: