

Jinbo Marine

Marine & Offshore Equipment Datasheet

PRODUCT DATASHEET

CB MARINE DRAIN VALVE

Cast Steel Self-Closing Drain Valve DN15 CB/T601-92 Type U

ISO9001 Supplier

Class Certificate

Export Supply

Cast Steel Self-Closing Drain Valve; CB/T601-92 is suitable for the pipe line of fuel oil, lub oil, sea water & fresh water. Standard: CB/T601-92 Working Pressure: 0.25Mpa
Flange Standard: GB56...



Key Highlights

Category	CB Marine Drain Valve
Standard	JIS
Material	Cast Steel
Certificate	CCS, BV, ABS, NK, DNV/GL, LR

We can supply according to your requirement, drawings, class certificate needs, and delivery schedule.

Technical Specifications

Category	CB Marine Drain Valve	Model / SKU	Cast-Steel-Self-Closing-Drain-Valve-DN15-CB-T601-92-Type-U
Standard	JIS	Material	Cast Steel
Certificate	CCS, BV, ABS, NK, DNV/GL, LR	Warranty	12 Months unless specified otherwise
Origin	China		

China Cast Steel Self-Closing Drain Valve DN15 CB/T601-92 Type U:

Cast Steel Self-Closing Drain Valve CB/T601-92 is suitable for the pipe line of fuel oil, lub oil, sea water & fresh water.

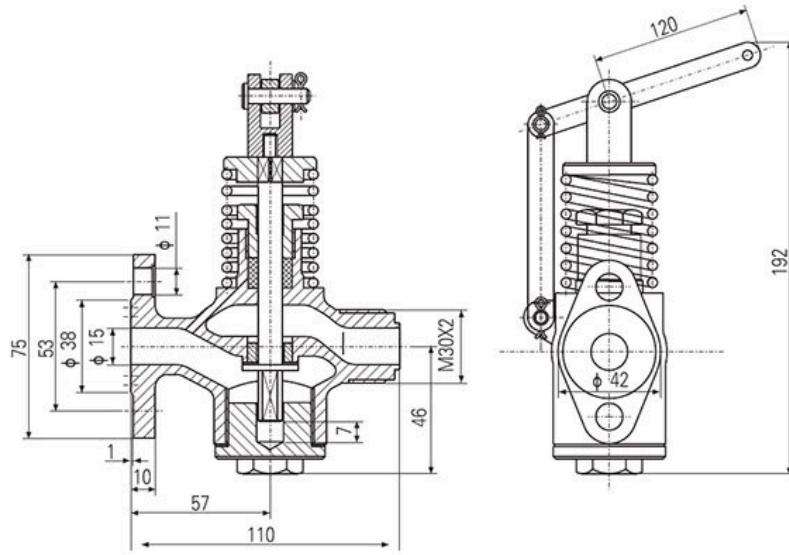
Standard: CB/T601-92

Working Pressure: 0.25Mpa

Flange Standard: GB569, GB2501, JIS 5K/10K

Material: Cast Steel or Bronze





DN15