

Jinbo Marine

Marine & Offshore Equipment Datasheet

PRODUCT DATASHEET

AIR DIFFUSER

Ceiling Air Diffuser

Air diffuser is also called cabin unit, it is a kind of terminal unit of marine air conditioning system. Ceiling Air Diffuser is mainly composed of static pressure box, air volume regulator and diffuser. The air...

ISO9001 Supplier

Class Certificate

Export Supply



Key Highlights

Category	Air Diffuser
Standard	DIN
Material	Aluminized zinc plate
Weight / Size	Aluminized zinc plate Main Size:
Certificate	ABS, LR, BV, DNVGL, NK, KR, IRS, RMRS, CCS

We can supply according to your requirement, drawings, class certificate needs, and delivery schedule.

Technical Specifications

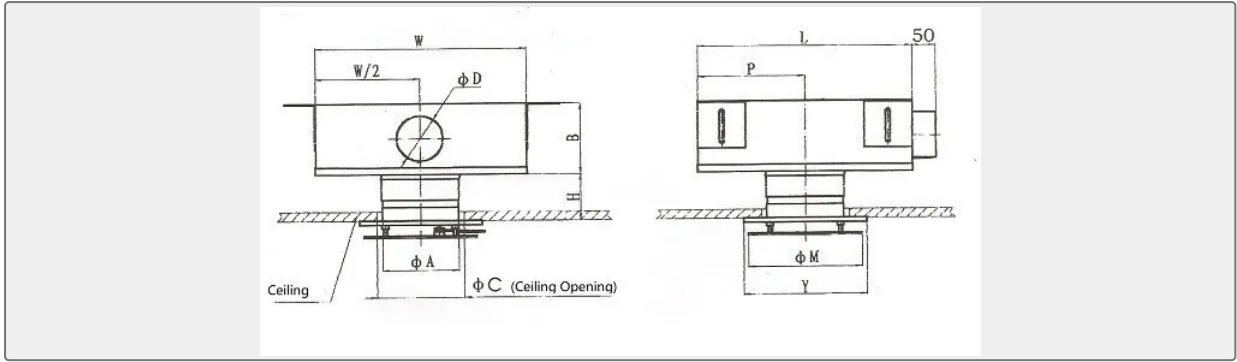
Category	Air Diffuser	Model / SKU	Ceiling-Air-Diffuser
Standard	DIN	Material	Aluminized zinc plate
Weight / Size	Aluminized zinc plate Main Size:	Certificate	ABS, LR, BV, DNVGL, NK, KR, IRS, RMRS, CCS
Warranty	12 Months unless specified otherwise	Origin	China

CONTENTS

- China Ceiling Air Diffuser:

- Main Size:

China Ceiling Air Diffuser:



Air diffuser is also called cabin unit, it is a kind of terminal unit of marine air conditioning system.

Ceiling Air Diffuser is mainly composed of static pressure box, air volume regulator and diffuser. The air volume has the function of primary air volume limit and secondary air volume regulation. The primary limit mechanism of transmission is used to balance the air volume, so that the air volume distribution reaches the design value. The Secondary air volume is manually adjusted by the crew's own comfort level.

Material: Aluminized zinc plate

Main Size:

Model No	A	D	Y	C	L	B	P	M	H	Flow Rate (m3/h)
CMJ-25	160	78	260x260	185	450	150	225	240	50-75, 97-95, 100-120	0-250
CMJ-35	160	98	260x260	185	450	150	225	240		0-350
CMJ-45	160	123	260x260	185	450	150	225	240		0-450
CMJ-50	200	123	320x320	230	600	200	200	284		0-500