

# Jinbo Marine

Marine & Offshore Equipment Datasheet

PRODUCT DATASHEET

## CHAIN SWIVEL

# Chain Swivels G401

Main Specification Material: 45# Steel Finish: Spaying Painting , Spraying Plastics, Galvanized  
Size Table Size (in) Working load lim...

ISO9001 Supplier

Class Certificate

Export Supply



### Key Highlights

Category	Chain Swivel
Standard	EN
Material	45# Steel
Weight / Size	45# Steel Finish: Spaying Painting , Spraying Plastics, Galvanized Size T...
Certificate	ABS, LR, BV, DNVGL, NK, KR, IRS, RMRS, CCS

We can supply according to your requirement, drawings, class certificate needs, and delivery schedule.



Technical Specifications			
Category	Chain Swivel	Model / SKU	Chain-Swivels-G401
Standard	EN	Material	45# Steel
Weight / Size	45# Steel Finish:Spaying Painting , Spraying Plastics, Galvanized Size Table Size (in) Working load limit (lbs) Weight Each (lbs) Dimensions A B C D E G J M R T U V 1/4 850 0.13 1.25 0.69 0.75 0.62 1.12 0.25 0.69 0.31 2.25 2.75 1.69 1.25 5/16 1250 0.25 1.63 0.81 1 0.75 1.38 0.31 0.81 0.38 2.72 3.34 2.06 1.47 3/8 2500 0.61 2 0.94 1.25 1 1.75 0.38 1 0.5 3.44 4.19 2.5 1.88 1/2 3600 1.12 2.5 1.31 1.5 1.25 2.25 0.5 1.31 0.63 4.25 5.25 3.19 2.44 5/8 5200 1.75 3 1.56 1.75 1.5 2.75 0.62 1.5 0.75 5.13 6.31 3.88 2.94 3/4 7200 3.09 3.5 1.75 2 1.75 3.25 0.75 1.88 0.88 5.78 7.22 4.94 3.46	Surface	Galvanized
Certificate	ABS, LR, BV, DNVGL, NK, KR, IRS, RMRS, CCS	Warranty	12 Months unless specified otherwise
Origin	China		

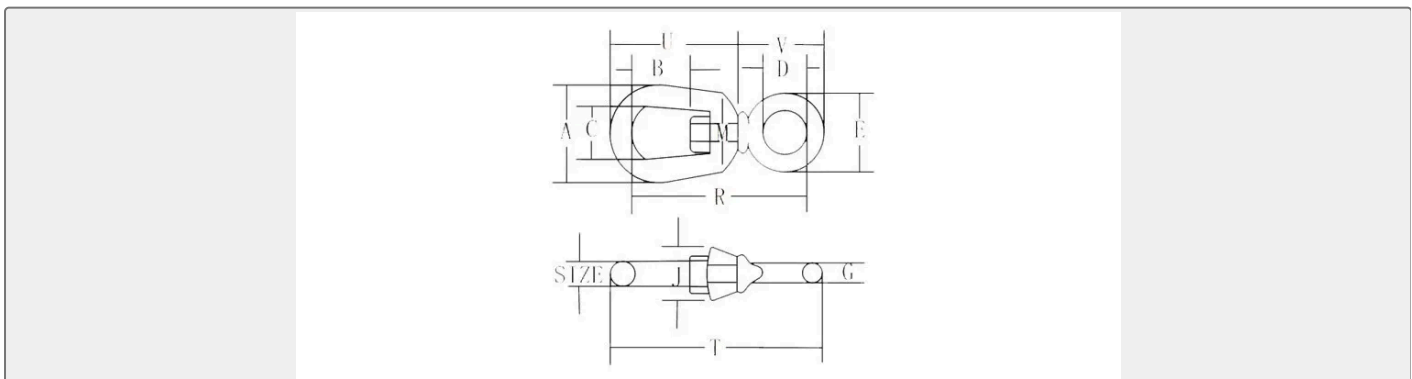
<b>CONTENTS</b>	■ Main Specification	■ Size Table
-----------------	----------------------	--------------

## Main Specification

Material: 45# Steel

Finish:Spaying Painting , Spraying Plastics, Galvanized

## Size Table



Size (in)	Working load limit (lbs)	Weight Each (lbs)	Dimensions											
			A	B	C	D	E	G	J	M	R	T	U	V
1/4	850	0.13	1.25	0.69	0.75	0.62	1.12	0.25	0.69	0.31	2.25	2.75	1.69	1.25
5/16	1250	0.25	1.63	0.81	1	0.75	1.38	0.31	0.81	0.38	2.72	3.34	2.06	1.47
3/8	2500	0.61	2	0.94	1.25	1	1.75	0.38	1	0.5	3.44	4.19	2.5	1.88
1/2	3600	1.12	2.5	1.31	1.5	1.25	2.25	0.5	1.31	0.63	4.25	5.25	3.19	2.44
5/8	5200	1.75	3	1.56	1.75	1.5	2.75	0.62	1.5	0.75	5.13	6.31	3.88	2.94
3/4	7200	3.09	3.5	1.75	2	1.75	3.25	0.75	1.88	0.88	5.78	7.22	4.94	3.46