

Jinbo Marine

Marine & Offshore Equipment Datasheet

PRODUCT DATASHEET

CHAIN CHASER

Chain grapnel

It designed as a "Fishing" tool primarily for the purpose of recovering and anchor and chain which has become detached and has fallen to the seabed. The Head Eye is attached to the trawl cable and the Tail Eye may be atta...

ISO9001 Supplier

Class Certificate

Export Supply



Key Highlights

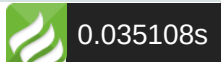
Category	Chain Chaser
Standard	CB
Weight / Size	CHAIN GRAPNEL Model d0 d1 b S B1 B2 L H1 H2 H3 H4 H5 H Shackle Weight (m...
Certificate	Mill Certificate

We can supply according to your requirement, drawings, class certificate needs, and delivery schedule.



Technical Specifications

Category	Chain Chaser	Model / SKU	Chain-grapnel
Standard	CB	Weight / Size	CHAIN GRAPNEL Model d0 d1 b S B1 B2 L H1 H2 H3 H4 H5 H Shackle Weight (mm) (mm) (mm) (mm) (mm) (mm) (mm) (mm) (mm) (mm) (mm) (mm) (mm) CB 547-76 (kg) 22 26 36 22 34 352 296 354 140 154 200 90 83 410 a6 27.3 28 32 47 30 45 463 390 463 183 203 263 120 103 538 a9 62 34 40 57 37 56 574 484 574 226 251 326 150 134 667 a11 118 40 46 67 44 66 685 577 685 270 300 390 178 160 795 a13 197 46 52 77 52 77 796 670 796 314 348 452 206 190 925 a14 310 53 60 83 59 88 907 764 907 358 397 515 235 220 1054 a15 460 62 70 94 74 112 1147 967 1147 453 502 650 298 290 1333 a16 945 67 75 104 80 121 1240 1045 1240 490 543 704 322 310 1440 a17 1190 72 80 115 86 130 1332 1123 1332 526 583 756 346 330 1548 a19 1480 77 85 120 92 139 1425 1200 1425 562 624 810 370 356 1656 a20 1800 82 90 125 98 148 1517 1280 1517 600 664 860 394 384 1763 a22 2170 87 97 135 104 156 1610 1357 1610 635 705 914 418 400 1870 a23 2600 92 102 140 110 166 1702 1435 1702 672 745 966 442 430 1978 a24 3085 97 107 145 116 175 1795 1513 1795 708 786 1020 466 455 2086 a25 3620 102 112 150 122 184 1887 1590 1887 745 826 1070 490 480 2193 — 4120 107 117 160 128 192 1980 1670 1980 780 867 1124 514 502 2300 — 4840 112 122 170 134 202 2072 1747 2072 818 907 1176 538 524 2408 — 5570 117 127 175 140 210 2165 1825 2165 854 948 1230 560 551 2516 — 6340 122 132 180 146 220 2257 1903 2257 890 988 1280 585 580 2625 — 7190



Certificate	Mill Certificate	Warranty	12 Months unless specified otherwise
Origin	China		

CONTENTS	■ China Chain grapnel:	■ Feature:
-----------------	------------------------	------------

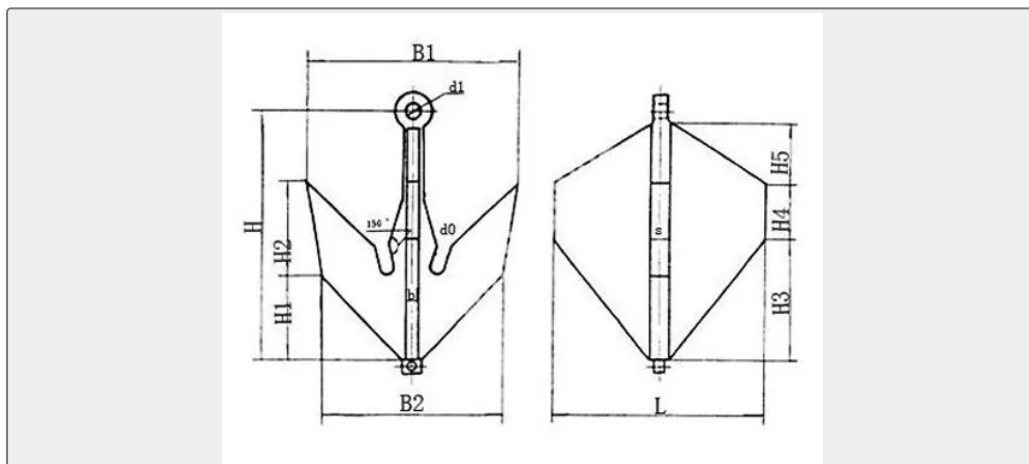
China Chain grapnel:

It designed as a "Fishing" tool primarily for the purpose of recovering and anchor and chain which has become detached and has fallen to the seabed.

The Head Eye is attached to the trawl cable and the Tail Eye may be attached to a trailing cable for the purpose of withdrawing the Grapnel in the event that the flukes engage with and "immovable" object on the seabed

Feature:

1. Excellent quality and competitive price .
2. Durable, long lifetime.
3. Standard or customerized.



CHAIN GRAPNEL															
Model	d0	d1	b	S	B1	B2	L	H1	H2	H3	H4	H5	H	Shackle	Weight
	(mm)	(mm)	(mm)	(mm)	(mm)	(mm)	(mm)	(mm)	(mm)	(mm)	(mm)	(mm)	(mm)	CB 547-76	(kg)
22	26	36	22	34	352	296	354	140	154	200	90	83	410	a6	27.3
28	32	47	30	45	463	390	463	183	203	263	120	103	538	a9	62
34	40	57	37	56	574	484	574	226	251	326	150	134	667	a11	118
40	46	67	44	66	685	577	685	270	300	390	178	160	795	a13	197
46	52	77	52	77	796	670	796	314	348	452	206	190	925	a14	310
53	60	83	59	88	907	764	907	358	397	515	235	220	1054	a15	460
62	70	94	74	112	1147	967	1147	453	502	650	298	290	1333		



67	75	104	80	121	1240	1045	1240	490	543	704	322	310	1440	a17	1190
72	80	115	86	130	1332	1123	1332	526	583	756	346	330	1548	a19	1480
77	85	120	92	139	1425	1200	1425	562	624	810	370	356	1656	a20	1800
82	90	125	98	148	1517	1280	1517	600	664	860	394	384	1763	a22	2170
87	97	135	104	156	1610	1357	1610	635	705	914	418	400	1870	a23	2600
92	102	140	110	166	1702	1435	1702	672	745	966	442	430	1978	a24	3085
97	107	145	116	175	1795	1513	1795	708	786	1020	466	455	2086	a25	3620
102	112	150	122	184	1887	1590	1887	745	826	1070	490	480	2193	—	4120
107	117	160	128	192	1980	1670	1980	780	867	1124	514	502	2300	—	4840
112	122	170	134	202	2072	1747	2072	818	907	1176	538	524	2408	—	5570
117	127	175	140	210	2165	1825	2165	854	948	1230	560	551	2516	—	6340
122	132	180	146	220	2257	1903	2257	890	988	1280	585	580	2625	—	7190