

Jinbo Marine

Marine & Offshore Equipment Datasheet

PRODUCT DATASHEET

LOAD BINDER


Claw Type Load Binder

Size Table Item Chain Size Working Load Limit Proof Load (lbs) Minimum Ultimate Load W...

ISO9001 Supplier

Class Certificate

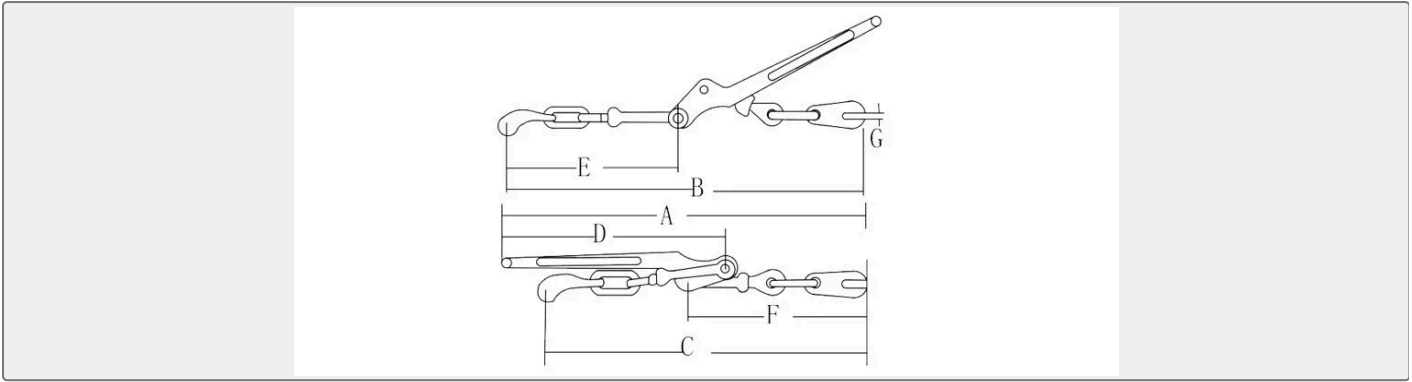
Export Supply

	Key Highlights	
	Category	Load Binder
	Standard	EN
	Material	45# Steel
	Weight / Size	Size Table Item Chain Size Working Load Limit Proof Load (lbs) Minimum U...
Certificate	ABS, LR, BV, DNVGL, NK, KR, IRS, RMRS, CCS	
<p>We can supply according to your requirement, drawings, class certificate needs, and delivery schedule.</p>		

Technical Specifications			
Category	Load Binder	Model / SKU	Claw-Type-Load-Binder
Standard	EN	Material	45# Steel
Weight / Size	Size Table Item Chain Size Working Load Limit Proof Load (lbs) Minimum Ultimate Load Weight Handle Length Dimension(in) (in.) (lbs.) (lbs.) (lbs.) (lbs.) (in.) A B C D E F G JB50 1/4-5/16 2600 5200 7800 3.6 11.42 20.66 18.7 15.35 11.42 8.85 8.85 0.35 JB51 5/16-3/8 5400 10800 19000 8.56 15.43 25.2 25.2 21.46 15.55 12.2 12.2 0.47 JB52 3/8-1/2 9200 18400 28000 12.38 17.24 28.15 28.7 24.61 17.52 13.58 13.58 0.59	Certificate	ABS, LR, BV, DNVGL, NK, KR, IRS, RMRS, CCS
Warranty	12 Months unless specified otherwise	Origin	China

 0.059567s

Size Table



Item	Chain Size	Working Load Limit	Proof Load (lbs)	Minimum Ultimate Load	Weight	Handle Length	Dimension(in)						
(in.)	(lbs.)	(lbs.)	(lbs.)	(lbs.)	(in.)	A	B	C	D	E	F	G	
JB50	1/4-5/16	2600	5200	7800	3.6	11.42	20.66	1.8	1.5	1.4	8.5	8.5	0.35
JB51	5/16-3/8	5400	10800	19000	8.56	15.43	2.52	2.2	2.4	1.5	1.5	1.2	0.47
JB52	3/8-1/2	9200	18400	28000	12.38	17.24	2.85	2.7	2.6	1.7	1.5	1.5	0.59

