

MARINE NAVIGATION EQUIPMENT


Composite Multi-Functional Radar

Function: Navigation and collision avoidance. HLD-900 marine radar and HLD-900C marine chart radar conforms to the standard IDEC62338-2013/IEC62288-2014,meet the application requiriements of IMO merchant,...

ISO9001 Supplier

Class Certificate

Export Supply



Key Highlights

| | |
|--------------------|--|
| Category | Marine Navigation Equipment |
| Standard | DIN |
| Certificate | ABS, LR, BV, DNVGL, NK, KR, IRS, RMRS, CCS |

We can supply according to your requirement, drawings, class certificate needs, and delivery schedule.

Technical Specifications

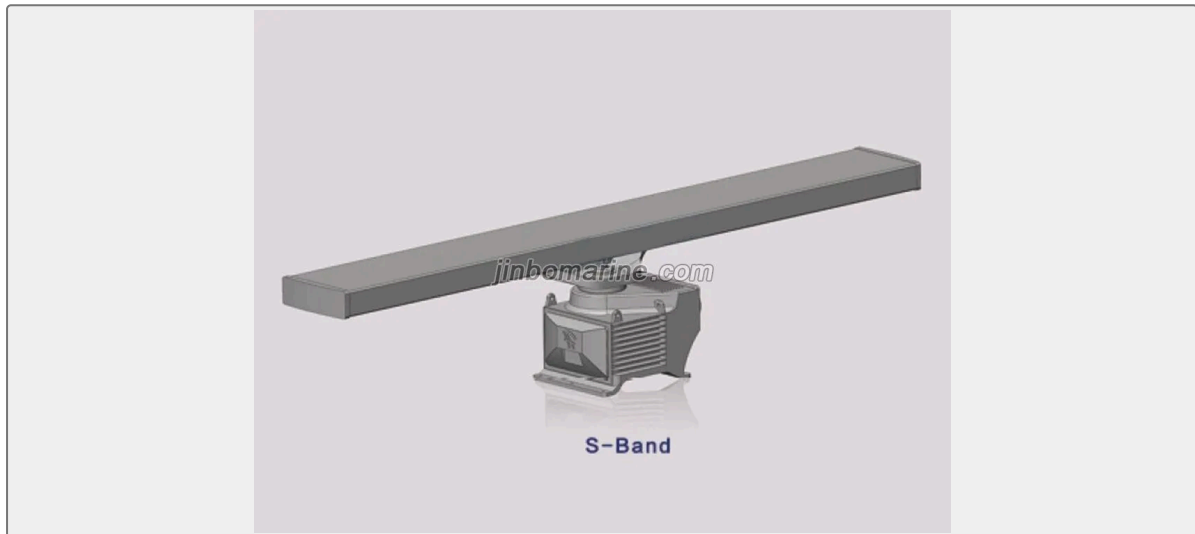
| | | | |
|--------------------|--|--------------------|--|
| Category | Marine Navigation Equipment | Model / SKU | Composite-Multi-Functional-Radar |
| Standard | DIN | Surface | Simultaneous monitoring of a variety of targets(high speed,low speed,air,sea surface,etc.) and customized alarm. |
| Certificate | ABS, LR, BV, DNVGL, NK, KR, IRS, RMRS, CCS | Warranty | 12 Months unless specified otherwise |
| Origin | China | | |

Function:

Navigation and collision avoidance.

HLD-900 marine radar and HLD-900C marine chart radar conforms to the standard IDEC62338-2013/IEC62288-2014,meet the application requiriements of IMO merchant,the series of product configuration can meet various types of CAT1/2/3 required,provide Chinese ane English version of the radar software,used to meet the ship and crew.





Small target detection. Oil spill detection. Wave height detection.

The system uses radar, CCTV, AIS and GPS as major sensors, which implements excellent tracking ability for small targets (RCS > 0.1m², height > 1m). Advanced signal processing algorithms (non-constant adaptive threshold, TBD, clutter statistic, characteristic matching) are also designed for enhancing the ability of small target detection.

System Feature: Excellent target tracking and detecting capability, especially the small target.

Radar CCTV integration and intelligent guidance to achieve all-weather and around-the-clock tracking, detection and identification of a specific target.

Simultaneous monitoring of a variety of targets (high speed, low speed, air, sea surface, etc.) and customized alarm.

Set alarm conditions according to zone control and event control. Large capacity data processing.

Multi-radar monitoring stations networking and flexible system structure, which supports a multi-level command centre.

Multi-sensor (radar, AIS, photo-electric, GPS and other active and passive sensor information) fusion, which shows the target detection and identifies source and also analyses the situation under a unified platform.

Implement recording and playback to facilitate verification and improve the work efficiency.