

Jinbo Marine

Marine & Offshore Equipment Datasheet

PRODUCT DATASHEET

TWISTLOCK

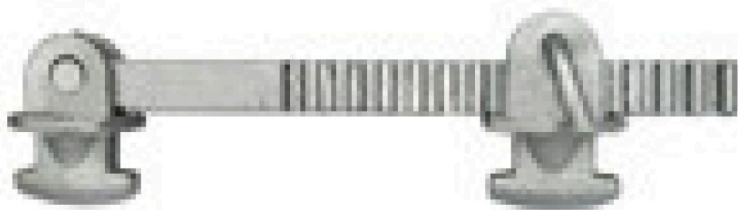
Container Bridge Fitting

1.All items are approved by major classification societies 2.customized design is available.
Material: forged steel Finish: hot dip galvanized weight:Length 260:3kg, Length 380:4kg M.B.L
tensio...

ISO9001 Supplier

Class Certificate

Export Supply



Key Highlights

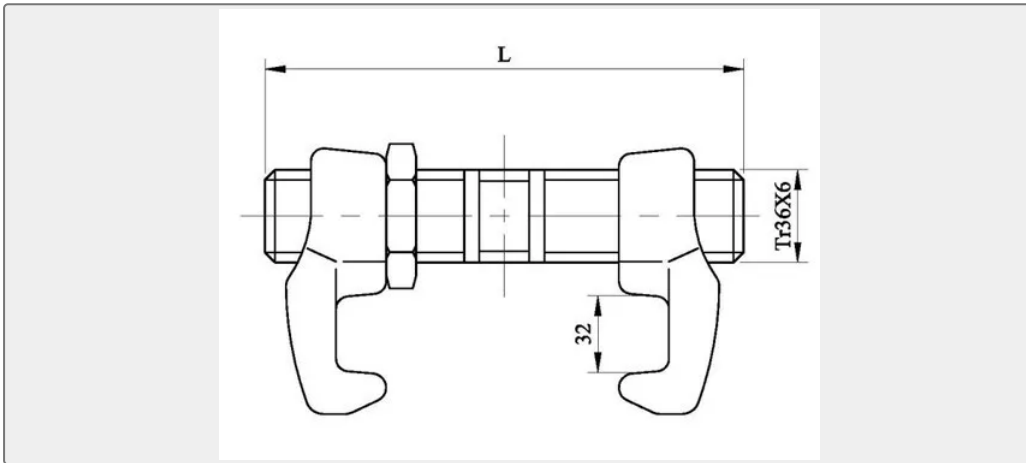
Category	Twistlock
Standard	ISO
Material	forged steel
Weight / Size	hot dip galvanized weight:Length 260:3kg, Length 380:4kg M.B.L tension:1...
Certificate	GL certificate

We can supply according to your requirement, drawings, class certificate needs, and delivery schedule.

Technical Specifications

Category	Twistlock	Model / SKU	Container-Bridge-Fitting
Standard	ISO	Material	forged steel
Weight / Size	hot dip galvanized weight:Length 260:3kg, Length 380:4kg M.B.L tension:100KN Certification:	Surface	hot dip galvanized
Certificate	GL certificate	Warranty	12 Months unless specified otherwise
Origin	China		

China Container Bridge Fitting:



- 1.All items are approved by major classification societies
- 2.customized design is available.

Material: forged steel

Finish: hot dip galvanized

weight:Length 260:3kg, Length 380:4kg

M.B.L tension:100KN

Certification: All items are approved by major classification societies

Remarks: customized design is available

Our scope of supply(cotainer fastners) covers the follows:

D-ring, Lashing plate, Raised ISO foundations, Dovetail foundations, Flush sockets, Sliding foundations, Guide cone, Guide block, Turnbuckles, Lashing rods, Extension rods, Manual twistlocks, Semi-automatic twistlocks, Midlocks, Sliding twistlocks, Bridge fittings, Single stackers, Double stackers, Hanging stackers, ETC.