

Jinbo Marine

Marine & Offshore Equipment Datasheet

PRODUCT DATASHEET

CONES AND GUIDE FITTINGS

Container Fitting

1.All items are approved by major classification societies 2.customized design is available.
Material: casting steel Finish: paint Length:140 Weight:3.2kg Length:280 Weight:5.3kg Certi...

ISO9001 Supplier

Class Certificate

Export Supply



Key Highlights

Category	Cones And Guide Fittings
Standard	ISO
Material	casting steel
Weight / Size	paint Length:140 Weight:3.2kg Length:280 Weight:5.3kg Certification:
Certificate	GL certificate

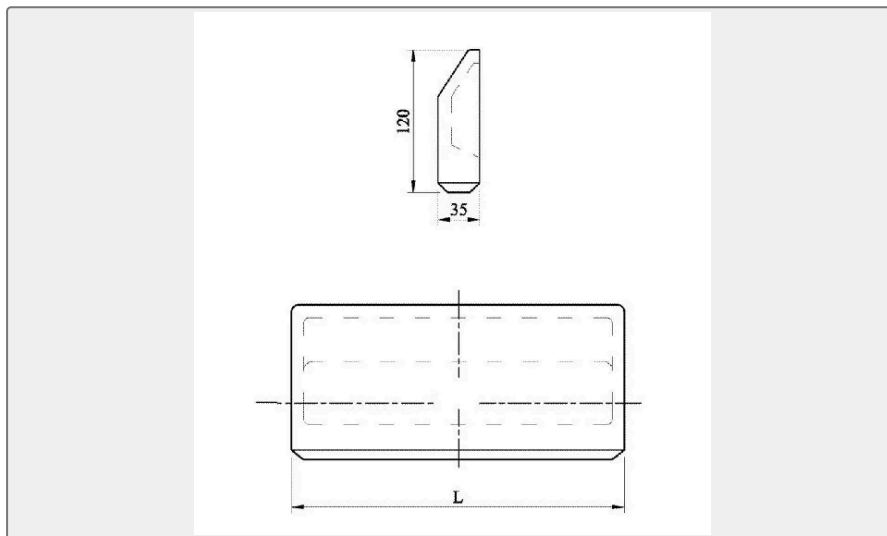
We can supply according to your requirement, drawings, class certificate needs, and delivery schedule.

Technical Specifications

Category	Cones And Guide Fittings	Model / SKU	Container-Fitting
Standard	ISO	Material	casting steel
Weight / Size	paint Length:140 Weight:3.2kg Length:280 Weight:5.3kg Certification:	Surface	casting steel Finish:
Certificate	GL certificate	Warranty	12 Months unless specified otherwise
Origin	China		



China Container Fitting:



- 1.All items are approved by major classification societies
- 2.customized design is available.

Material: casting steel

Finish: paint

Length:140 Weight:3.2kg

Length:280 Weight:5.3kg

Certification: All items are approved by major classification societies

Remarks: customized design is available

Our scope of supply(cotainer fastners) covers the follows:

D-ring, Lashing plate, Raised ISO foundations, Dovetail foundations, Flush sockets, Sliding foundations, Guide cone, Guide block, Turnbuckles, Lashing rods, Extension rods, Manual twistlocks, Semi-automatic twistlocks, Midlocks, Sliding twistlocks, Bridge fittings, Single stackers, **Double stackers**, Hanging stackers, ETC.